

90mm Bi-LED Low and High Beam HEADLIGHT MODULE



Bi-LED high and low beam.

One projector module with one
light source for each side of the vehicle.



Feature

- Bright, white light
- SAE / DOT compliant
- 30,000+ hours LED service life



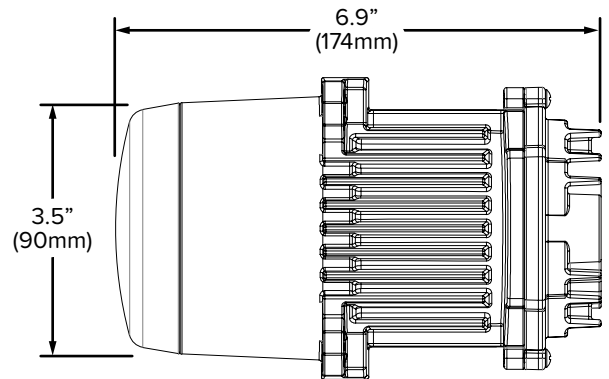
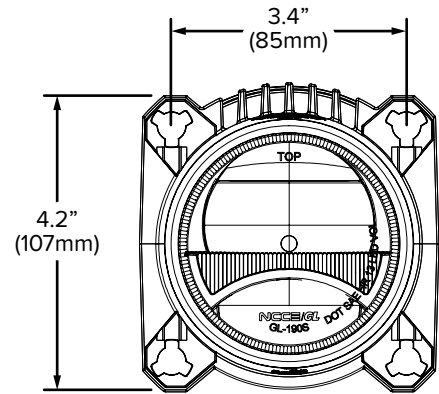
Benefit

Enhances illumination and reduces driver fatigue.
Compliant to US / CDN federal regulations.
Long lasting investment, quality product.



Specifications

Operating Voltage:	12 - 24Vdc
Operating Current:	Low Beam: 3.3A @ 12Vdc 1.7A @ 24Vdc High Beam: 4.2A @ 12Vdc 2.1A @ 24Vdc
Power Consumption:	Low Beam: 40W High Beam: 50W
Temperature Range:	-40°C to +80°C
Ingress Protection:	IP68 & IP69K
Weight:	2.9lbs (1.3kg)
Housing:	Die Cast Aluminum - Black E-Coat
Lens:	Hard-Coated Glass
Connection:	Wire Harnes with AMP Connector
Polarity:	Reverse Voltage Protected
Vibration Resistance:	10-500Hz @ 5Grms
Compliance:	FMVSS108 and CMVSS108 ECE R10



Part #	Description	Operating Voltage
71074	Bi-LED Low and Beam 90mm	12 - 24Vdc
98143	Adjustment Bolts	



For more lighting and electronic solutions, please check out our catalogue.