



# XWL-813 5000 HDM



**Rugged, heavy duty work light with a stainless steel heavy duty mount (HDM).  
5000 Lumens through 22 high intensity LEDs.**

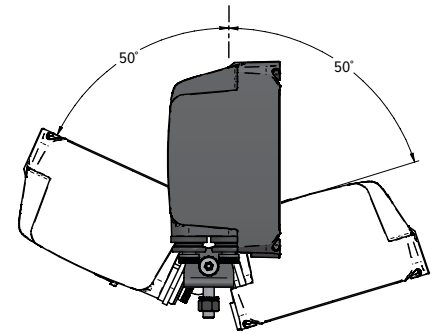
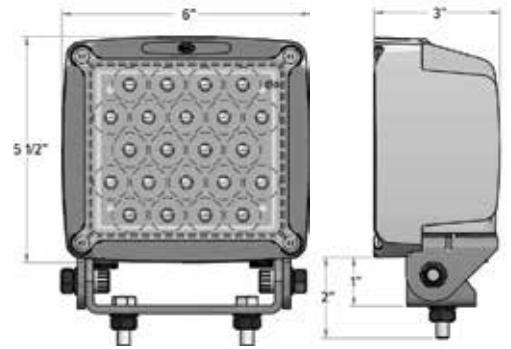
FEATURE	BENEFIT
Stainless Steel Heavy Duty Mounting Bracket with Tilt	Provides support in extreme environments, and flexibility with 50° tilt forwards & backwards, delivering light where you need it most.
Rugged die cast aluminium housing & polycarbonate lens	Virtually unbreakable.
Built-in vibration dampeners	Reduces the intensity of shock and vibrations.
IP68 / IP69K	Dust protected and waterproof to 2m with the highest protection against high pressure washing and steam cleaning.
50 Watts	Energy efficient LED draws less current and saves on fuel costs.
Constant current circuit draw	Light will not dim, even if voltage fluctuates.
50,000+ hours LED service life & 5 year warranty	Long lasting investment; quality product.



Specialists in innovative lighting and electronic solutions for over 30 years.

**XWL-813 5000 HDM LED WORK LIGHTS**

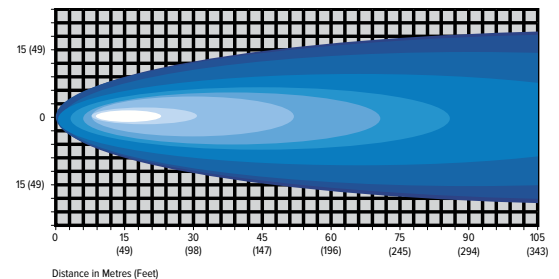
Part #	Connector	Lumens	Voltage Range
<b>Spot</b>			
81665	Tyco	5000	12-24Vdc
81668	Deutsch	5000	12-24Vdc
<b>Medium Flood</b>			
81666	Tyco	5000	12-24Vdc
81669	Deutsch	5000	12-24Vdc
<b>Hybrid Spot/Flood</b>			
81667	Tyco	5000	12-24Vdc
81670	Deutsch	5000	12-24Vdc



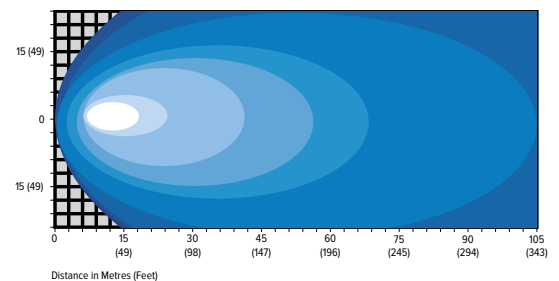
**Specifications:**

Lumens:	5000
Operating Voltage:	12-24Vdc
Operating Current:	4.2 A @ 12Vdc 2.2 A @ 24Vdc
Power Consumption:	50 W
Temperature Range:	-40°C to +60°C
IP Rating:	IP68
Environmental Rating:	IP69K
Weight:	2.601 kg
SAE/DOT:	SAE, CE, ECE Reg,10
Housing:	Die Cast Aluminum - Black E-Coat
Lens:	Automotive Optical Grade, Hard-Coated Polycarbonate
Lens Pattern:	Spot, Medium Flood or Hybrid
Connection:	Tyco or Deutsch
Polarity:	Reverse Voltage Protected
Vibration Resistance:	10 - 500Hz @ 5Grms, Built-In Vibration Dampener
Mounting:	Stainless Steel Heavy Duty Mounting Bracket

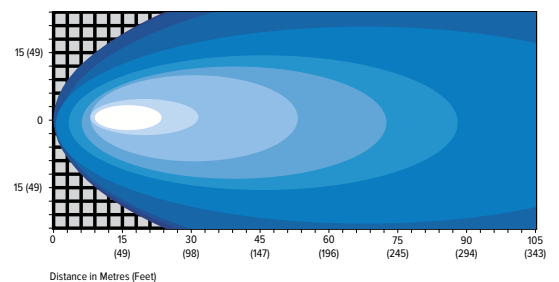
Spot Beam Pattern



Medium Flood Pattern



Hybrid Spot/Flood Beam Pattern



**TYCO CONNECTOR**



**DEUTSCH CONNECTOR**



Hamsar lighting and electronic products must be fused appropriately in all instances. If you are in doubt, consult with a Hamsar service Representative at 1-800-567-5483 or email sales@hamsar.com  
**NOTE: Improperly fused/installed product will invalidate the warranty.**