



Hamsar[®]

A Methode Electronics Company

PRODUCT
CATALOGUE

2022

Innovative Lighting and Electronic Solutions.



GRAKON
GROUP



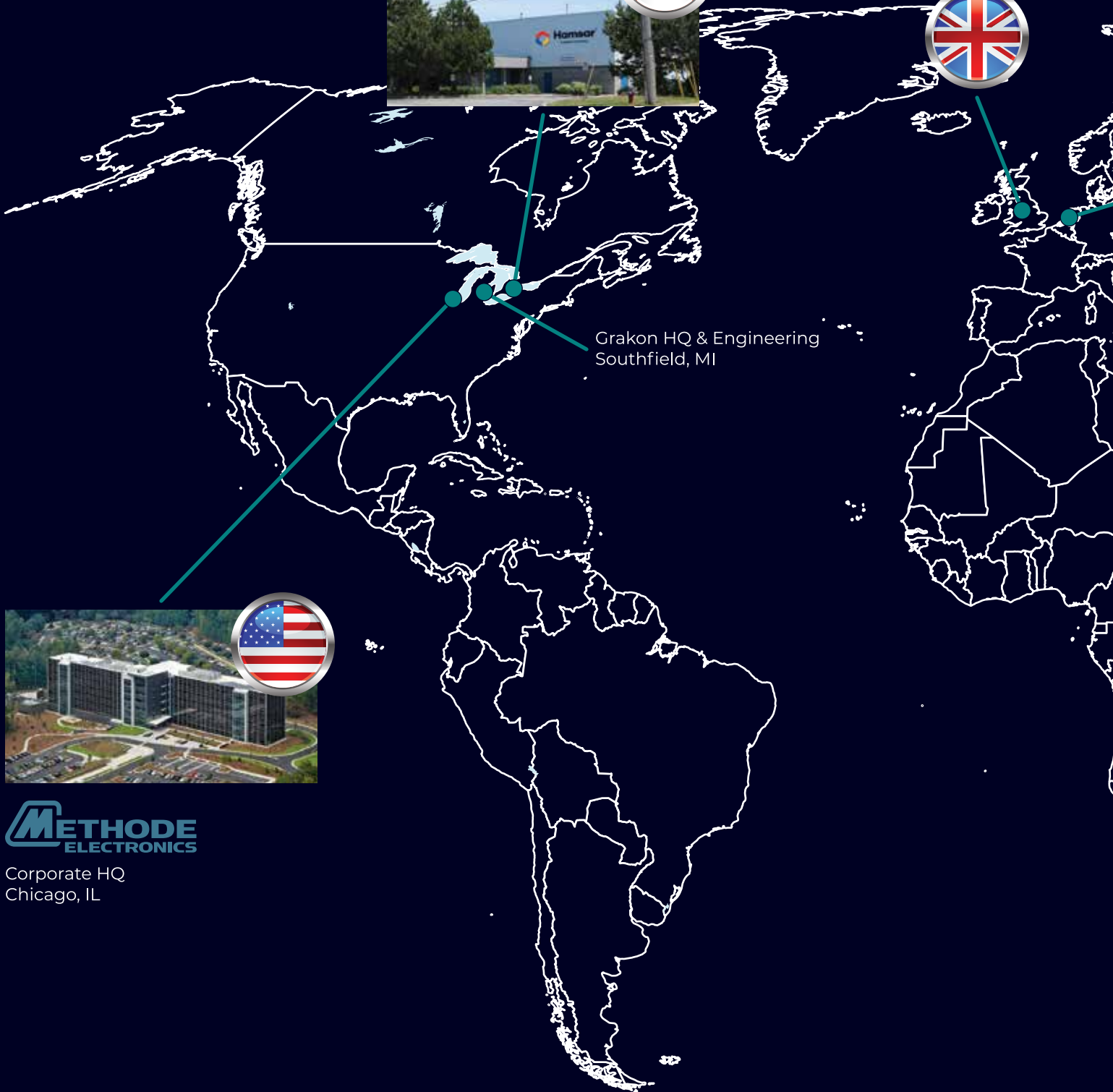
Hamsar
A Methode Electronics Company

Burlington, ON
Canada



BMAC
A Methode Electronics Company

Manchester, UK



Grakon HQ & Engineering
Southfield, MI



METHODE
ELECTRONICS

Corporate HQ
Chicago, IL



European Headquarters
Helmond, Netherlands



Engineering
Shenzhen, China

Accounting & Customs
Hong Kong, China



Manufacturing & Engineering
Dongguan, China

WE SEE THINGS IN A DIFFERENT LIGHT.

Hamsar® creates custom lighting solutions for specialized vehicle markets through our deep engineering expertise and obsessive customer follow-through. We believe in the power of lighting to transform and elevate the vehicle experience.

ILLUMINATING IDEAS.

We create innovative lighting solutions that provide a next-level environment within transportation, freight, specialized vehicles, recreation, and beyond. We're helping make our customers more successful, with smarter vehicles and safer drivers.

5320 Downey Street
Burlington, Ontario
Canada L7L 6M2
T 905.332.4094
F 905.332.9020
www.hamsar.com



Hamsar[®]

A Methode Electronics Company

ISO 9001:2015
ISO 14001:2015



ENGINEERING

Before beginning any new project, we listen to our customer's vision, and strive to bring that vision to reality. Product design and development is at the heart of everything we do. We identify success as a thoughtful balance of competing factors resulting in products that exceed customer expectations.

Our program management process considers every alternative, enabling us to deliver inventive solutions that delight vehicle owners and create OEM brand identity.



DESIGN AND DEVELOPMENT

Early in the design and development phase, our teams are proactively engaged to ensure that solutions are identified to make the seemingly impossible, possible. Our expertise covers a wide spectrum of design and development activities including:

- Industrial Design
- Mechanical Design
- Electrical Design
- Optical Design Simulation
- Thermal Analysis
- Finite Element Analysis
- Realistic Design Imaging
- Mold Flow Analysis
- Testing | Validation
- Rapid Prototyping
- CAD Modeling & Surfacing
- Regulatory Compliance
- Electronic CAD Interchange
- In-House CNC Mold Making
- Photometrics
- Advanced Product Quality Planning



CAD SUPPORT

Our innovative design team can produce native CATIA and Pro-E CAD data and regularly exchange data with customers and suppliers that use other CAD software by means of STEP and IGES files.





QUALITY

Full in-house testing facilities mean outstanding accuracy, efficiency and short turnarounds. All design, production and delivery processes are governed by an ISO 9001:2015 registered quality control system.



MANUFACTURING

We design and manufacture our lighting and electronic products at our facility located in Burlington, Ontario, Canada. Through continued investment, our team continually analyzes and improves manufacturing standards in order to hone our process and yield optimal, tangible, measurable results.

- SMT Electronics Assembly
- Assembly
- Wire Harness
- Sonic Welding
- Wave Soldering
- PCB Populating
- CNC Potting | Adhesives
- Robotics



SHIPPING AND LOGISTICS

With a distribution centre in our Canadian Head Office, we have established ourselves as a reliable supplier of ISO quality products with an exemplary fill rate and a dependable shipping record.



CUSTOMER SERVICE

Our focus on providing our customers with the best possible service is evident in our:

- Field Support
- Service Scorecarding
- Annual Customer Survey
- Real Time Email

Heavy Equipment



Page 34



Page 18



Truck Body and Trailer



Page 76



Page 26





Page 20



Page 54



Light Duty Truck



Page 44



Page 59

Powersports



Page 80



Page 45





Page 85



Page 85

Material Handling



Page 63



Page 60





Heavy Duty Trailer



Page 47



Page 71

TABLE OF CONTENTS



**Work
Lights**

15 - 45



**Bus
and Rail**

84 - 85



**Forward
Lighting**

46 - 54



Bulbs

86 - 90



**Warning
& Safety**

55 - 67



Electronics

91 - 94



**Rear
Lighting**

68 - 72



**Vehicle
Accessories**

95 - 101



**Accessory
Lighting**

73 - 83

Index

102 - 106

WORK LIGHTS



Hamsar[®]
A Methode Electronics Company



Contents

XWL-816 Series	18	-	19
XWL-800 Series	20	-	25
XWL-810 Series	26	-	31
XWL-812 Series	32	-	39
XWL-Par 36 Series	40	-	41
Value Series	42	-	44
Accessories	45		

LED Work Lights



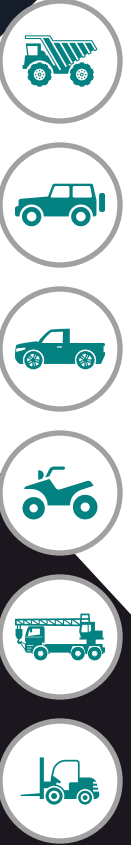
	XWL-816	XWL-800	XWL-800 Soft Start	XWL-800 Switch	XWL-810 Select
Model	XWL-816	XWL-800	XWL-800 Soft Start	XWL-800 Switch	XWL-810 Select
Lumens	5000	2500	2500	2500	1500
Operating Current @ 12Vdc	3.0A	1.8A	1.8A	1.8A	1.2A
Power Consumption	36W	22W	22W	22W	14W
Shape	Square	Round	Round	Round	Round
Key Features	Super Bright	Four Attachment Points	Soft Start Function	Built-In ON / OFF Switch	Compact Size, Two Attachment Points
Cost	\$\$\$	\$\$	\$\$	\$\$\$	\$

COMPARISON MATRIX



XWL-810 Soft Start	XWL-810 Switch	XWL-812 3000	XWL-812 Select	XWL-812 Premium	XWL-Par 36
1260	1500	3000	1500	1380	1400
1.2A	1.2A	2.8A	1.3A	1.2A	1.0A
14W	14W	33W	15W	14W	12W
Round	Round	Square	Square	Square	Round
Soft Start Function	Built-In ON/OFF Switch	Very Bright	Value Series	12 - 76Vdc	Par 36 Module
\$\$	\$\$\$	\$\$\$	\$	\$\$	\$

5000 LUMENS



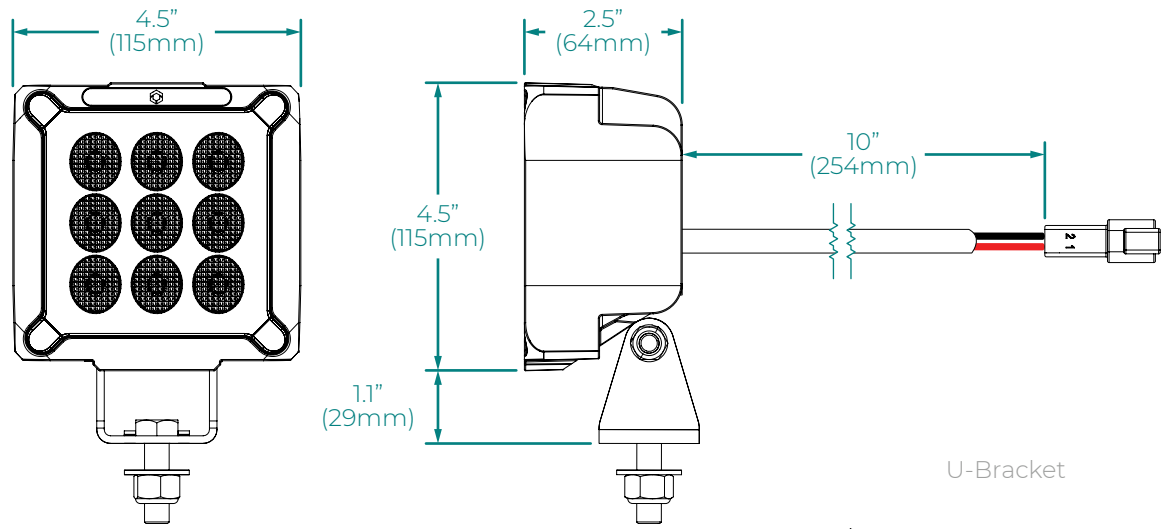
XWL-816 Series WORK LIGHT | 9 LED



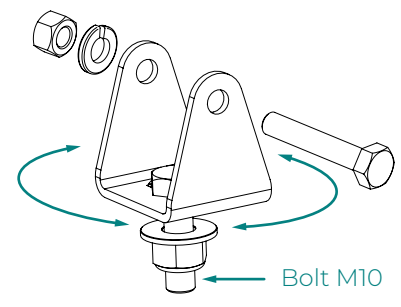
Features



- 5000 lumens
- Die cast aluminum housing and polycarbonate lens
- IP68 & IP69K- will withstand dust, dirt, salt spray, and is resistant to water submersion for up to 30 minutes
- Low noise constant current design - for EMI sensitive applications
- Improved thermal performance - uses A380 grade aluminum
- 3 beam patterns - get light where it's needed most
- 50,000+ hours LED service life and 5 year warranty



U-Bracket



Connection

10" wire harness w/ Deutsch connector



WORK LIGHTS | XWL-816 SERIES

XWL-816 Series

WORK LIGHT | 9 LED

Specifications

Raw Lumens:	5900
Effective Lumens:	5000
Colour Temperature:	6500K
Operating Voltage:	12 - 24Vdc
Operating Current:	3.0A @ 12Vdc 1.5A @ 24Vdc
Power Consumption:	36W
Temperature Range:	-40°C to +50°C
Ingress Protection:	IP68 & IP69K
Weight:	2.9lbs (1.3kg)
Housing:	Die Cast Aluminum Alloy A380 Black E-Coat
Lens:	Automotive Optical Grade Hard-Coated Polycarbonate
Connection:	10" Wire Harness w/ Deutsch Connector
Polarity:	Reverse Voltage Protected
Vibration Resistance:	10-500Hz @ 5Grms
Mounting:	U-Bracket (Powder Coated Steel)
EMC Rated:	EN ISO 13766-1:2018

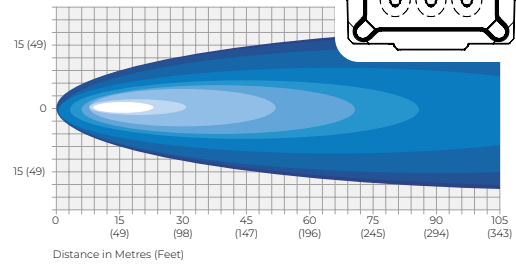
Part #	Beam Pattern	Lumens	Operating Voltage
81450	Spot	5000	12 - 24Vdc
81451	Wide Flood	5000	12 - 24Vdc
81452	Hybrid	5000	12 - 24Vdc

Accessories

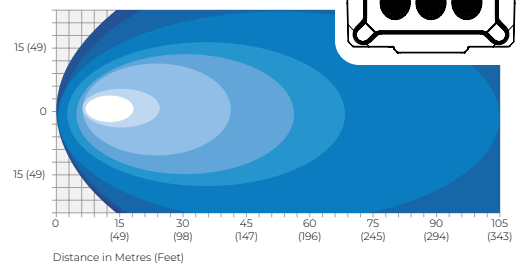
98197	Hardware Kit U-Bracket
98195	Easy Grip Handle Black (see page 45)

Beam Patterns

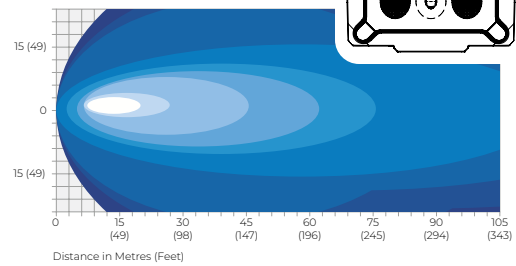
Spot Pattern



Wide Flood Pattern



Hybrid Pattern



2500 LUMENS

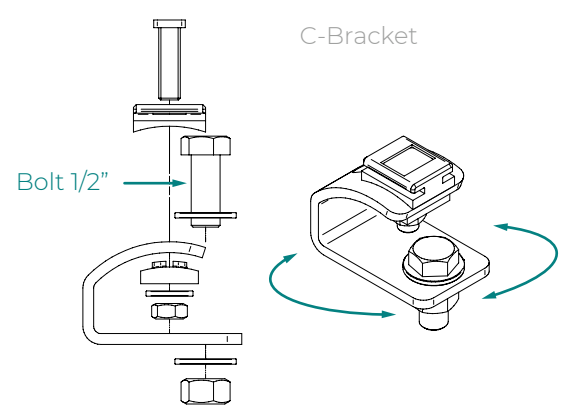
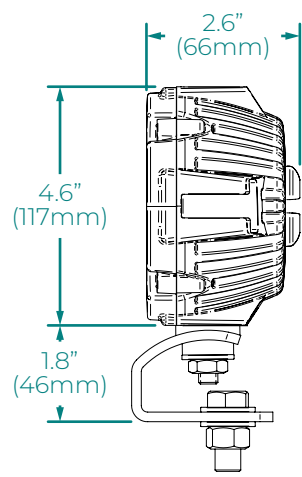
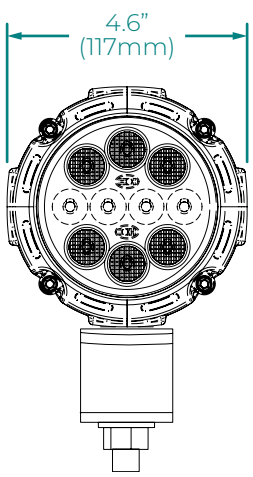
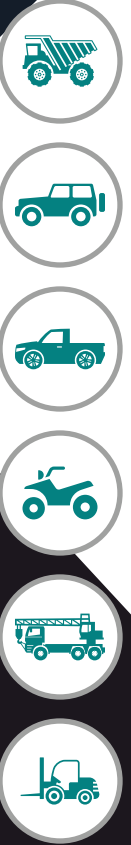
XWL-800 Series WORK LIGHT | 10 LED



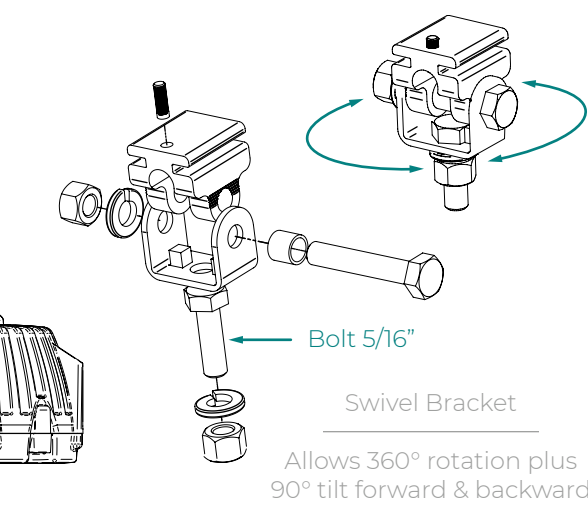
Features



- 2500 lumens
- Die cast aluminum housing, polycarbonate lens and nylon bezel
- IP68 & IP69K- will withstand dust, dirt, salt spray, and is resistant to water submersion for up to 30 minutes
- Low noise constant current design - for EMI sensitive applications
- Improved thermal performance - uses A380 grade aluminum
- 4 beam patterns - get light where it's needed most
- 50,000+ hours LED service life and 5 year warranty

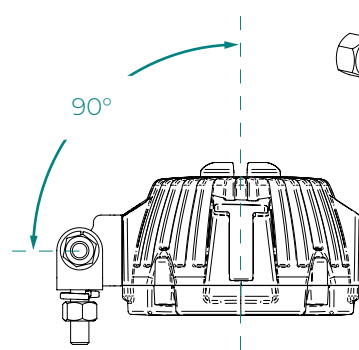
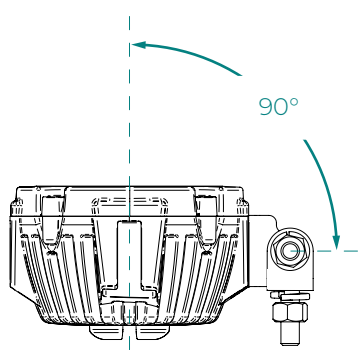


C-Bracket



Swivel Bracket

Allows 360° rotation plus 90° tilt forward & backward



4 Mounting Channels

If a mounting channel is damaged, move bracket to next channel and re-mount the light



WORK LIGHTS | XWL-800 SERIES

XWL-800 Series

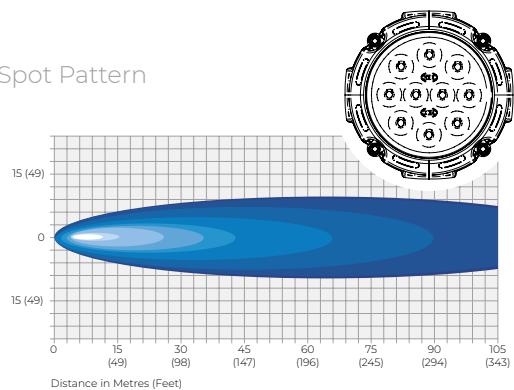
WORK LIGHT | 10 LED

Specifications

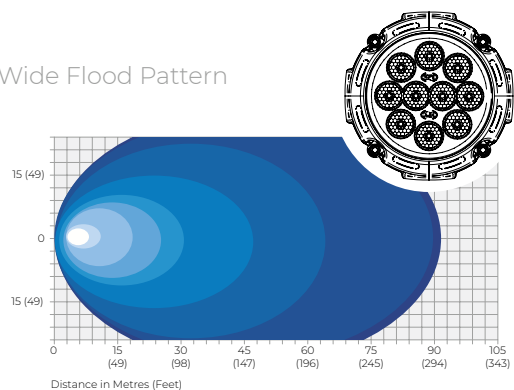
Raw Lumens:	2950
Effective Lumens:	2500
Colour Temperature:	6500K
Operating Voltage:	12 - 24Vdc
Operating Current:	1.8A @ 12Vdc 0.9A @ 24Vdc
Power Consumption:	22W
Temperature Range:	-40°C to +50°C
Ingress Protection:	IP68 & IP69K
Weight:	2.2lbs (1.0kg)
Housing:	Die Cast Aluminum Alloy A380 Black E-Coat
Lens:	Automotive Optical Grade Hard-Coated Polycarbonate
Connection:	6" Wire Leads
Polarity:	Reverse Voltage Protected
Vibration Resistance:	10-500Hz @ 5Grms
Mounting:	C-Bracket (Powder Coated Steel) Swivel Bracket (Zinc Dichromate Plating)
EMC Rated:	EN ISO 13766-1:2018

Beam Patterns

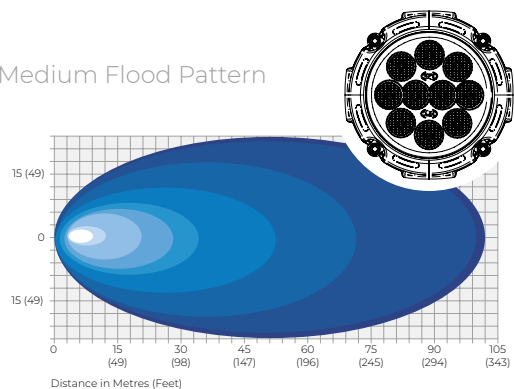
Spot Pattern



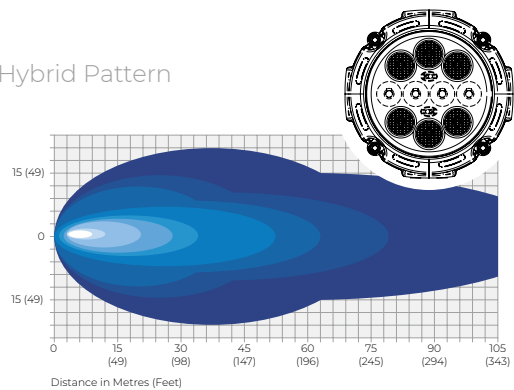
Wide Flood Pattern



Medium Flood Pattern



Hybrid Pattern



Part #	Beam Pattern	Lumens	Operating Voltage
--------	--------------	--------	-------------------

C-Bracket

81261/HO	Spot	2500	12 - 24Vdc
81262/HO	Wide Flood	2500	12 - 24Vdc
81263/HO	Medium Flood	2500	12 - 24Vdc
81281/HO	Hybrid	2500	12 - 24Vdc

Swivel Bracket

81264/HO	Spot	2500	12 - 24Vdc
81265/HO	Wide Flood	2500	12 - 24Vdc
81266/HO	Medium Flood	2500	12 - 24Vdc
81267/HO	Hybrid	2500	12 - 24Vdc

Accessories

HW02A	Hardware Kit C-Bracket
98189	Hardware Kit Swivel Bracket
98195	Easy Grip Handle Black (see page 45)

SOFT
START



WORK LIGHTS | XWL-800 SERIES

XWL-800 Soft Start Series

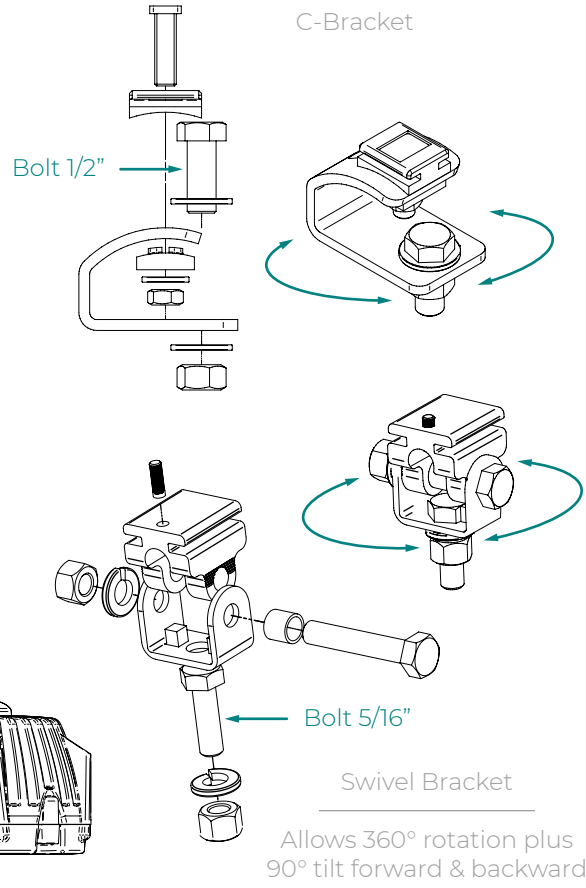
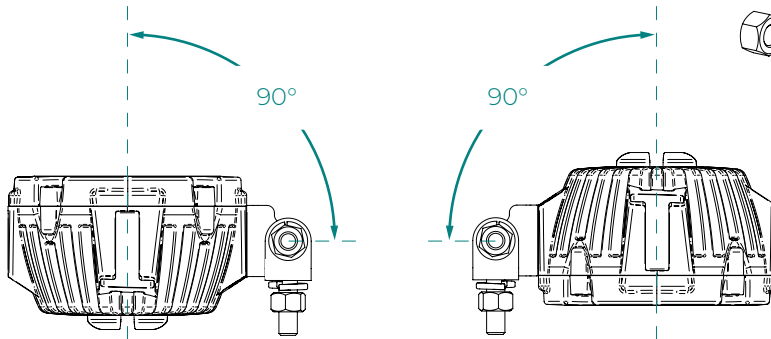
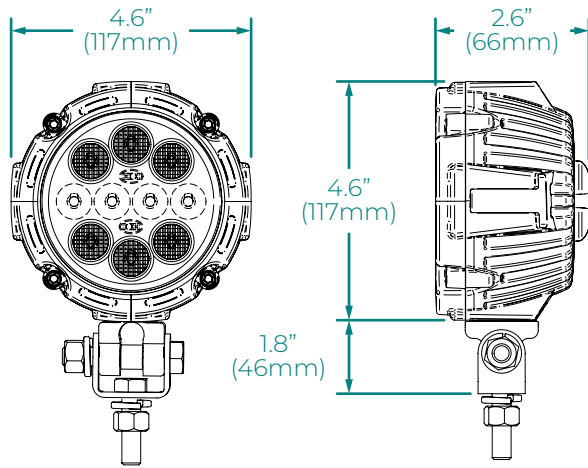
WORK LIGHT | 10 LED



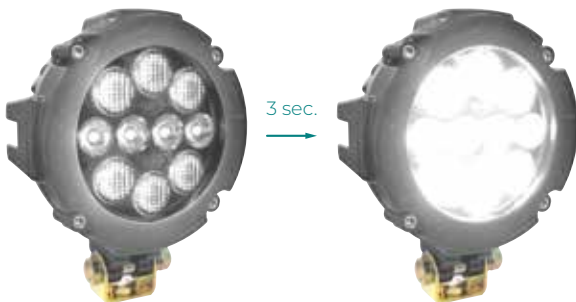
Features



- Soft start function - reduces "in rush current", improving electronic component life and easing load on existing wiring & battery
- 2500 lumens
- Die cast aluminum housing, polycarbonate lens and nylon bezel
- IP68 & IP69K- will withstand dust, dirt, salt spray, and is resistant to water submersion for up to 30 minutes
- Low noise constant current design - for EMI sensitive applications
- Improved thermal performance - uses A380 grade aluminum
- 4 beam patterns - get light where it's needed most
- 50,000+ hours LED service life and 5 year warranty



Gradual Illumination | Three seconds to full power



4 Mounting Channels

If a mounting channel is damaged, move bracket to next channel and re-mount the light



XWL-800 Soft Start Series

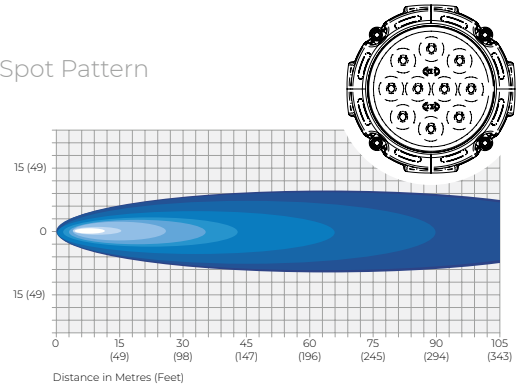
WORK LIGHT | 10 LED

Specifications

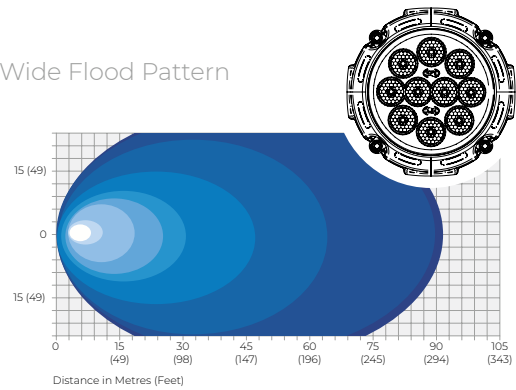
Raw Lumens:	2950
Effective Lumens:	2500
Colour Temperature:	6500K
Operating Voltage:	12 - 24Vdc
Operating Current:	1.8A @ 12Vdc 0.9A @ 24Vdc
Power Consumption:	22W
Temperature Range:	-40°C to +50°C
Ingress Protection:	IP68 & IP69K
Weight:	2.2lbs (1.0kg)
Housing:	Die Cast Aluminum Alloy A380 Black E-Coat
Lens:	Automotive Optical Grade Hard-Coated Polycarbonate
Connection:	6" Wire Leads
Polarity:	Reverse Voltage Protected
Vibration Resistance:	10-500Hz @ 5Grms
Mounting:	C-Bracket (Powder Coated Steel) Swivel Bracket (Zinc Dichromate Plating)
EMC Rated:	EN ISO 13766-1:2018

Beam Patterns

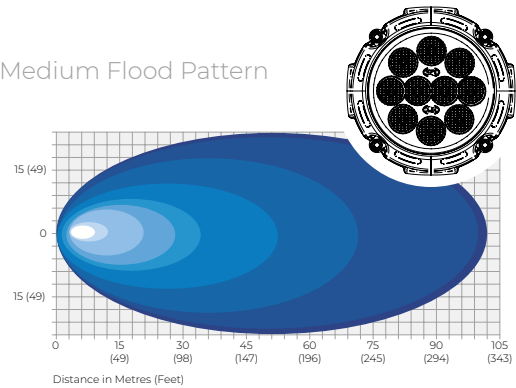
Spot Pattern



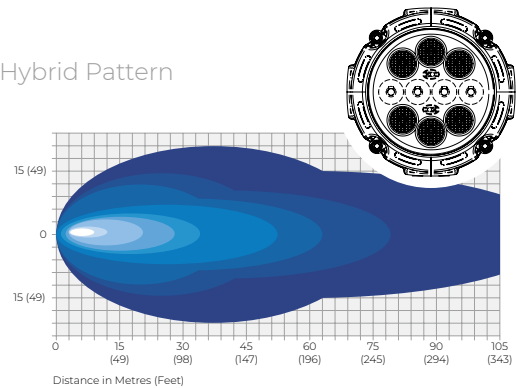
Wide Flood Pattern



Medium Flood Pattern



Hybrid Pattern



Part #	Beam Pattern	Lumens	Operating Voltage
--------	--------------	--------	-------------------

C-Bracket

81901	Spot	2500	12 - 24Vdc
81902	Wide Flood	2500	12 - 24Vdc
81903	Medium Flood	2500	12 - 24Vdc
81904	Hybrid	2500	12 - 24Vdc

Swivel Bracket

81911	Spot	2500	12 - 24Vdc
81912	Wide Flood	2500	12 - 24Vdc
81913	Medium Flood	2500	12 - 24Vdc
81914	Hybrid	2500	12 - 24Vdc

Accessories

HW02A	Hardware Kit C-Bracket
98189	Hardware Kit Swivel Bracket
98195	Easy Grip Handle Black (see page 45)

XWL-800 Switch Series

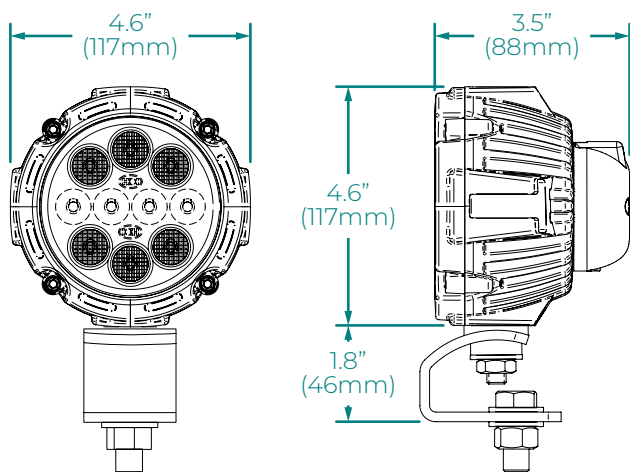
WORK LIGHT | 10 LED



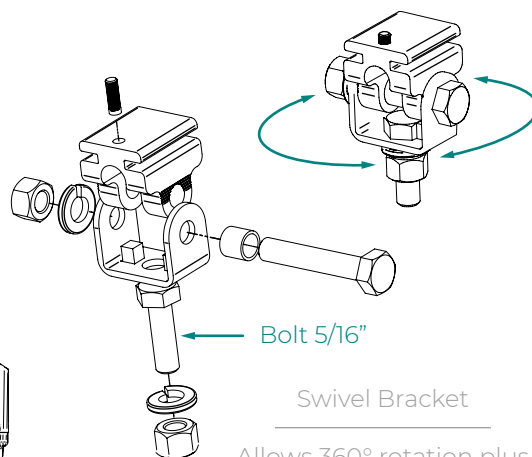
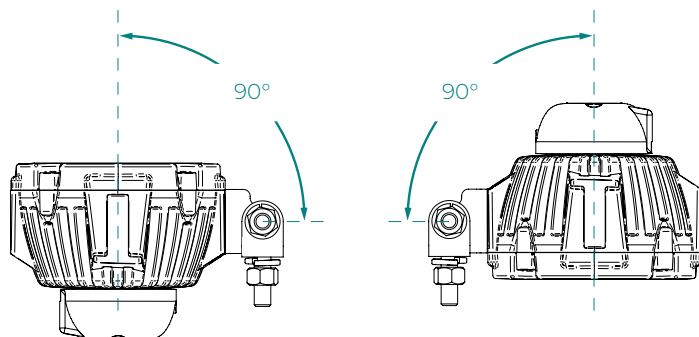
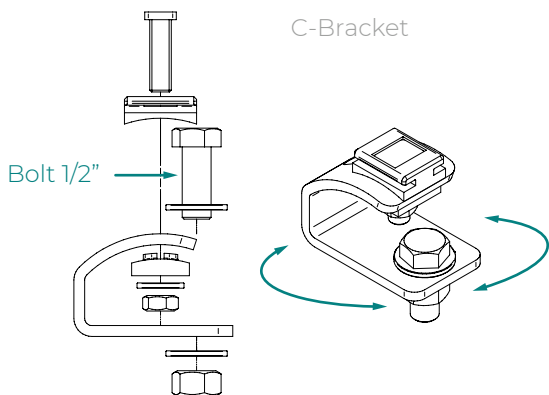
Features



- Built-in rocker switch - provides direct ON / OFF function
- 2500 lumens
- Die cast aluminum housing, polycarbonate lens and nylon bezel
- IP68 & IP69K- will withstand dust, dirt, salt spray, and is resistant to water submersion for up to 30 minutes
- Low noise constant current design - for EMI sensitive applications
- Improved thermal performance - uses A380 grade aluminum
- 4 beam patterns - get light where it's needed most
- 50,000+ hours LED service life and 5 year warranty



C-Bracket



Swivel Bracket

Allows 360° rotation plus 90° tilt forward & backward

XWL-800 Switch Series

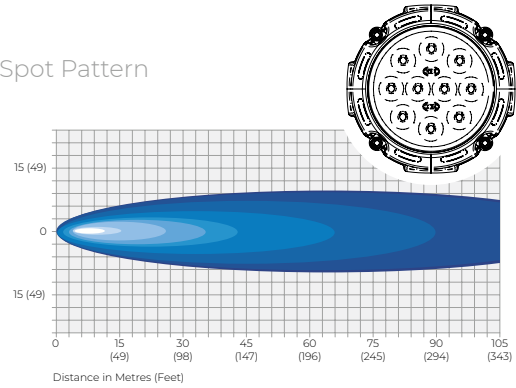
WORK LIGHT | 10 LED

Specifications

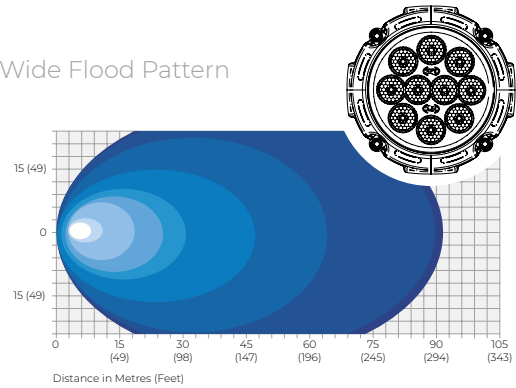
Raw Lumens:	2950
Effective Lumens:	2500
Colour Temperature:	6500K
Operating Voltage:	12 - 24Vdc
Operating Current:	1.8A @ 12Vdc 0.9A @ 24Vdc
Power Consumption:	22W
Temperature Range:	-40°C to +50°C
Ingress Protection:	IP68 & IP69K
Weight:	2.2lbs (1.0kg)
Housing:	Die Cast Aluminum Alloy A380 Black E-Coat
Lens:	Automotive Optical Grade Hard-Coated Polycarbonate
Connection:	6" Wire Leads
Polarity:	Reverse Voltage Protected
Vibration Resistance:	10-500Hz @ 5Grms
Mounting:	C-Bracket (Powder Coated Steel) Swivel Bracket (Zinc Dichromate Plating)
EMC Rated:	EN ISO 13766-1:2018

Beam Patterns

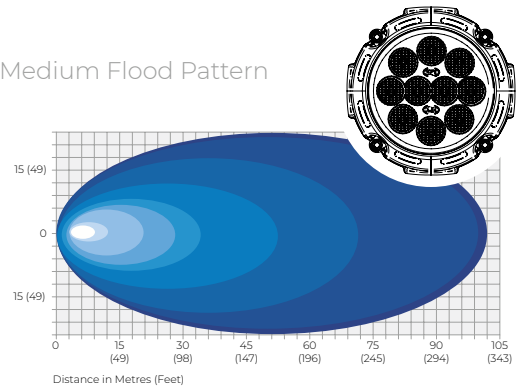
Spot Pattern



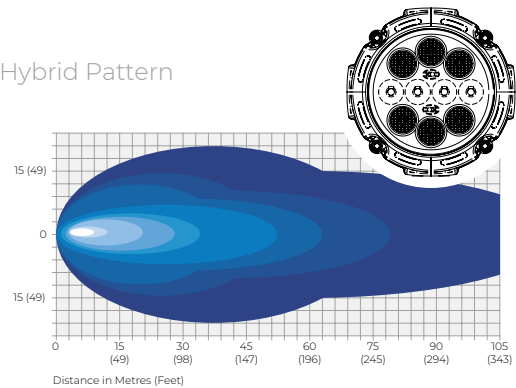
Wide Flood Pattern



Medium Flood Pattern



Hybrid Pattern



Part #	Beam Pattern	Lumens	Operating Voltage
--------	--------------	--------	-------------------

C-Bracket

81261/HO/S	Spot	2500	12 - 24Vdc
81262/HO/S	Wide Flood	2500	12 - 24Vdc
81263/HO/S	Medium Flood	2500	12 - 24Vdc
81281/HO/S	Hybrid	2500	12 - 24Vdc

Swivel Bracket

81264/HO/S	Spot	2500	12 - 24Vdc
81265/HO/S	Wide Flood	2500	12 - 24Vdc
81266/HO/S	Medium Flood	2500	12 - 24Vdc
81267/HO/S	Hybrid	2500	12 - 24Vdc

Accessories

HW02A	Hardware Kit C-Bracket
98189	Hardware Kit Swivel Bracket
98195	Easy Grip Handle Black (see page 45)

XWL-810 Select Series

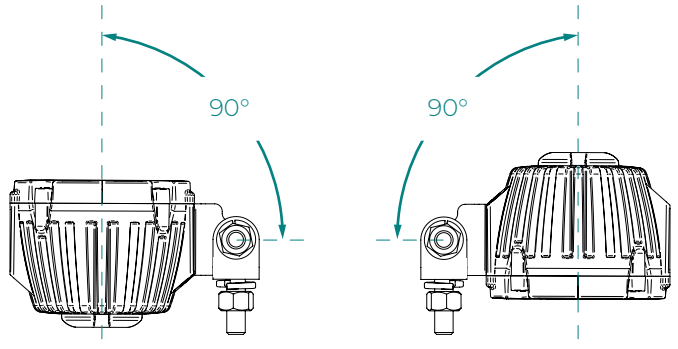
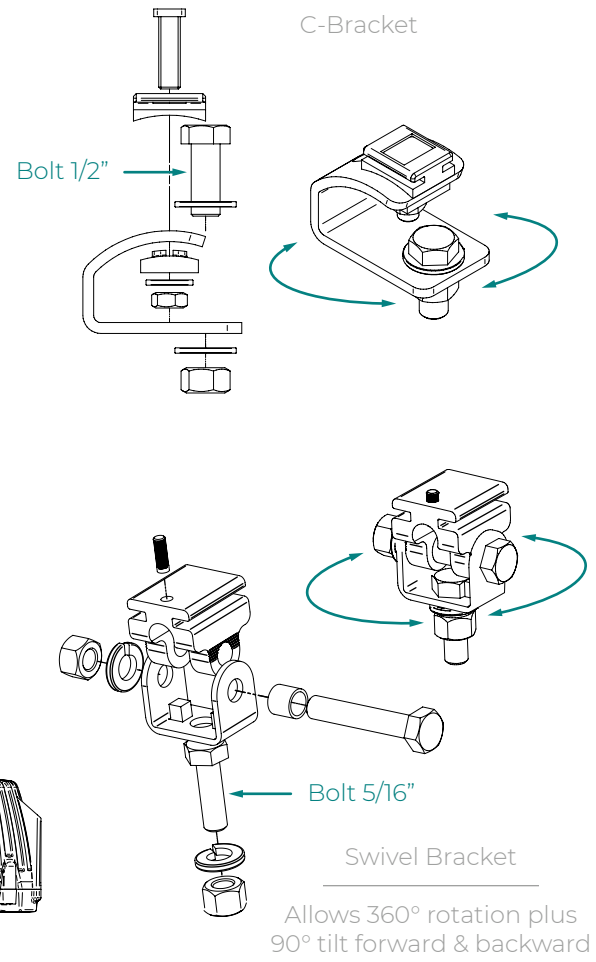
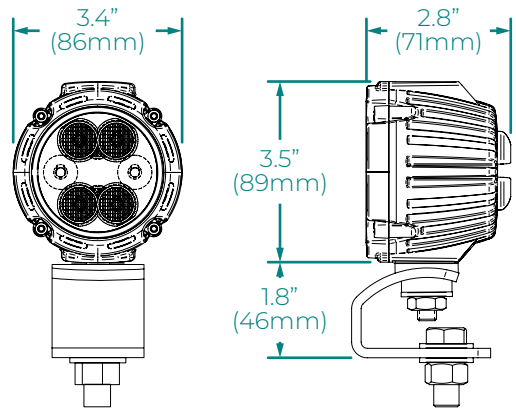
COMPACT WORK LIGHT | 6 LED



Features



- 1500 lumens
- Die cast aluminum housing, polycarbonate lens and nylon bezel
- IP68 & IP69K- will withstand dust, dirt, salt spray, and is resistant to water submersion for up to 30 minutes
- Low noise constant current design - for EMI sensitive applications
- Improved thermal performance - uses A380 grade aluminum
- 4 beam patterns - get light where it's needed most
- 50,000+ hours LED service life and 5 year warranty



2 Mounting Channels

If a mounting channel is damaged, move bracket to next channel and re-mount the light



XWL-810 Select Series

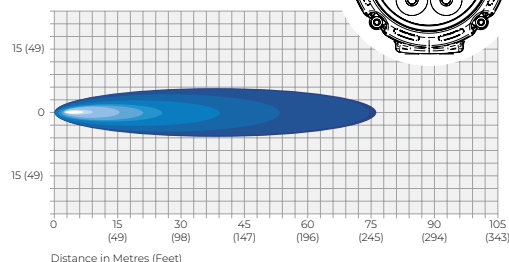
COMPACT WORK LIGHT | 6 LED

Specifications

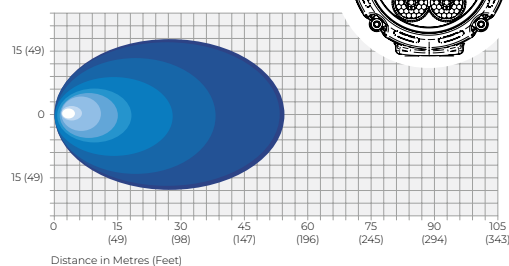
Raw Lumens:	1770
Effective Lumens:	1500
Colour Temperature:	6500K
Operating Voltage:	12 - 24Vdc
Operating Current:	1.2A @ 12Vdc 0.6A @ 24Vdc
Power Consumption:	14W
Temperature Range:	-40°C to +50°C
Ingress Protection:	IP68 & IP69K
Weight:	1.3lbs (0.6kg)
Housing:	Die Cast Aluminum Alloy A380 Black E-Coat
Lens:	Automotive Optical Grade Hard-Coated Polycarbonate
Connection:	6" Wire Leads
Polarity:	Reverse Voltage Protected
Vibration Resistance:	10-500Hz @ 5Grms
Mounting:	C-Bracket (Powder Coated Steel) Swivel Bracket (Zinc Dichromate Plating)
EMC Rated:	EN ISO 13766-1:2018

Beam Patterns

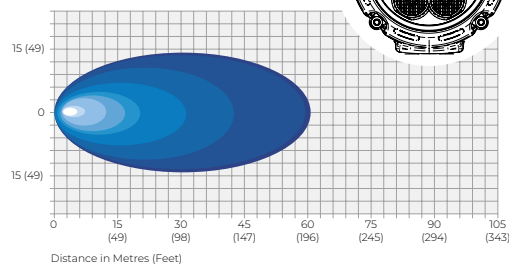
Spot Pattern



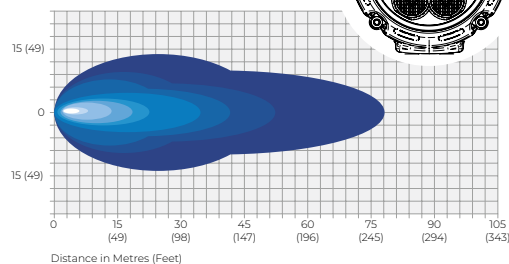
Wide Flood Pattern



Medium Flood Pattern



Hybrid Pattern



Part #	Beam Pattern	Lumens	Operating Voltage
--------	--------------	--------	-------------------

C-Bracket

81285	Spot	1500	12 - 24Vdc
81286	Wide Flood	1500	12 - 24Vdc
81287	Medium Flood	1500	12 - 24Vdc
81288	Hybrid	1500	12 - 24Vdc

Swivel Bracket

81805	Spot	1500	12 - 24Vdc
81806	Wide Flood	1500	12 - 24Vdc
81807	Medium Flood	1500	12 - 24Vdc
81808	Hybrid	1500	12 - 24Vdc

Accessories

HW02A	Hardware Kit C-Bracket
98189	Hardware Kit Swivel Bracket
98195	Easy Grip Handle Black (see page 45)

SOFT
START



WORK LIGHTS | XWL-810 SERIES

XWL-810 Soft Start Series

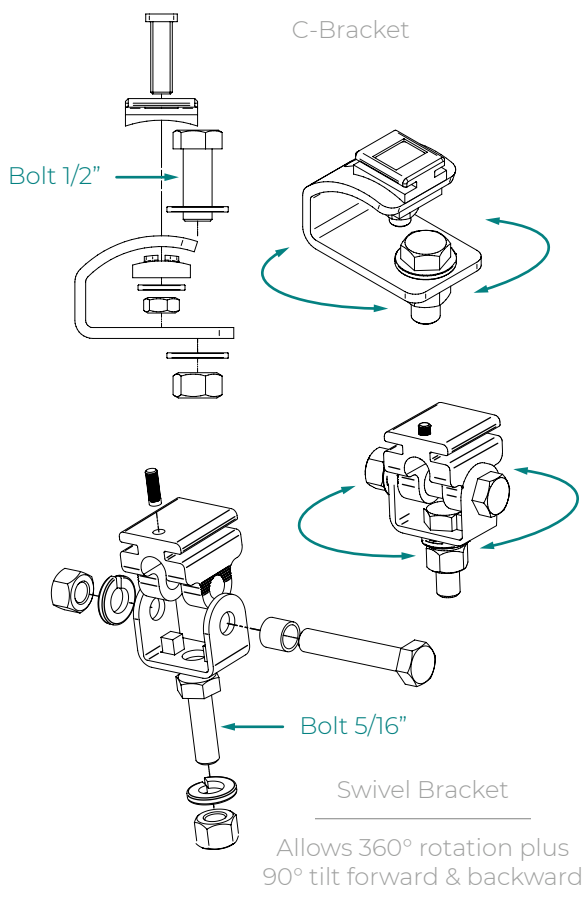
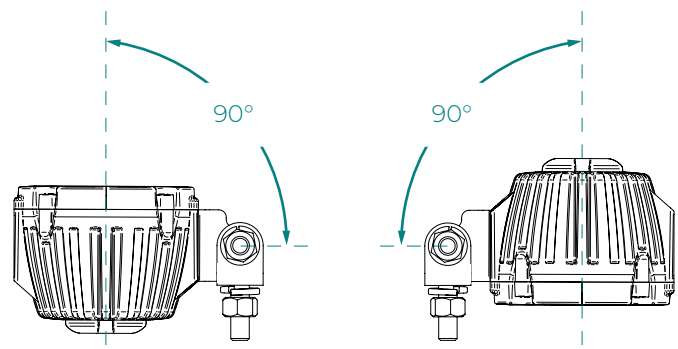
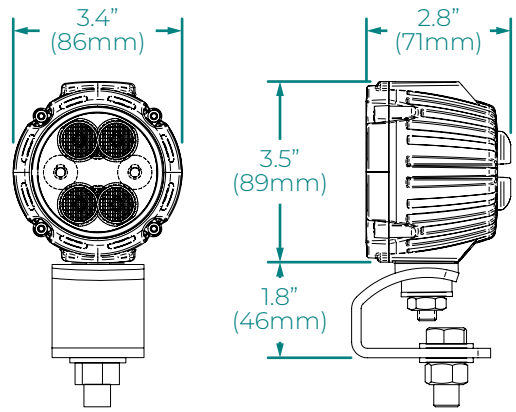
WORK LIGHT | 6 LED



Features



- Soft start function - reduces "in rush current", improving electronic component life and easing load on existing wiring & battery
- 1260 lumens
- Die cast aluminum housing, polycarbonate lens and nylon bezel
- IP68 & IP69K- will withstand dust, dirt, salt spray, and is resistant to water submersion for up to 30 minutes
- Low noise constant current design - for EMI sensitive applications
- Improved thermal performance - uses A380 grade aluminum
- 4 beam patterns - get light where it's needed most
- 50,000+ hours LED service life and 5 year warranty



Gradual Illumination | Three seconds to full power



2 Mounting Channels

If a mounting channel is damaged, move bracket to next channel and re-mount the light



XWL-810 Soft Start Series

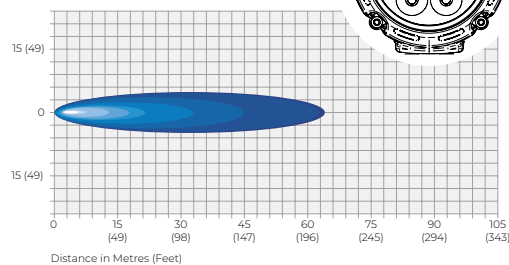
COMPACT WORK LIGHT | 6 LED

Specifications

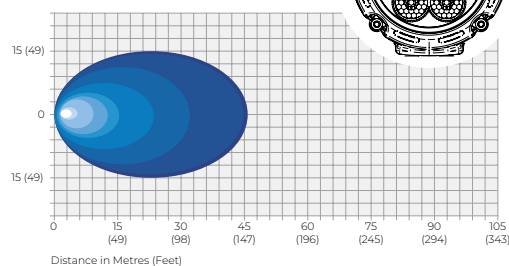
Raw Lumens:	1490
Effective Lumens:	1260
Colour Temperature:	6500K
Operating Voltage:	12 - 24Vdc
Operating Current:	1.2A @ 12Vdc 0.6A @ 24Vdc
Power Consumption:	14W
Temperature Range:	-40°C to +50°C
Ingress Protection:	IP68 & IP69K
Weight:	1.3lbs (0.6kg)
Housing:	Die Cast Aluminum Alloy A380 Black E-Coat
Lens:	Automotive Optical Grade Hard-Coated Polycarbonate
Connection:	6" Wire Leads
Polarity:	Reverse Voltage Protected
Vibration Resistance:	10-500Hz @ 5Grms
Mounting:	C-Bracket (Powder Coated Steel) Swivel Bracket (Zinc Dichromate Plating)
EMC Rated:	EN ISO 13766-1:2018

Beam Patterns

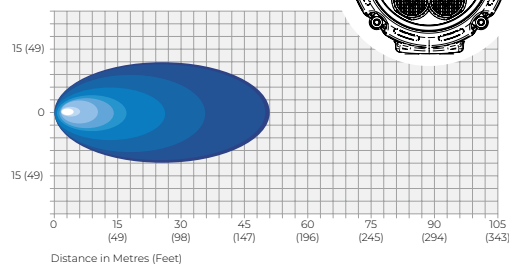
Spot Pattern



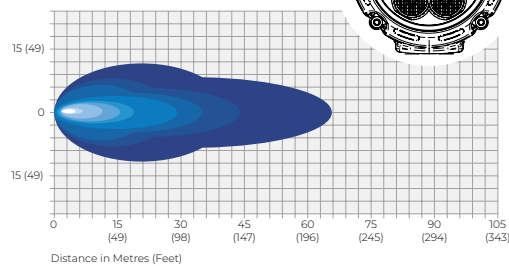
Wide Flood Pattern



Medium Flood Pattern



Hybrid Pattern



Part #	Beam Pattern	Lumens	Operating Voltage
--------	--------------	--------	-------------------

C-Bracket

81801	Spot	1260	12 - 24Vdc
81802	Wide Flood	1260	12 - 24Vdc
81803	Medium Flood	1260	12 - 24Vdc
81804	Hybrid	1260	12 - 24Vdc

Swivel Bracket

81811	Spot	1260	12 - 24Vdc
81812	Wide Flood	1260	12 - 24Vdc
81813	Medium Flood	1260	12 - 24Vdc
81814	Hybrid	1260	12 - 24Vdc

Accessories

HW02A	Hardware Kit C-Bracket
98189	Hardware Kit Swivel Bracket
98195	Easy Grip Handle Black (see page 45)

XWL-810 Switch Series

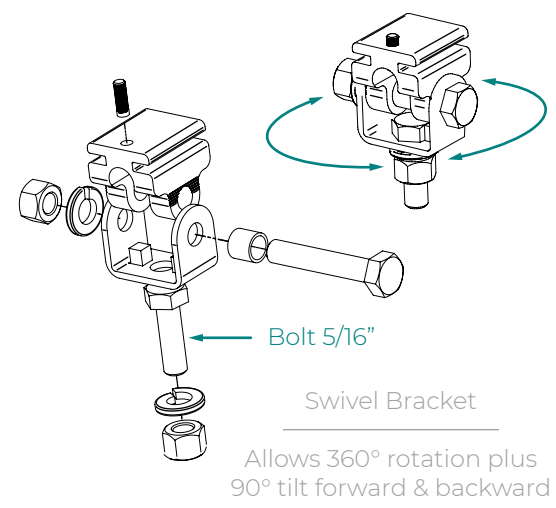
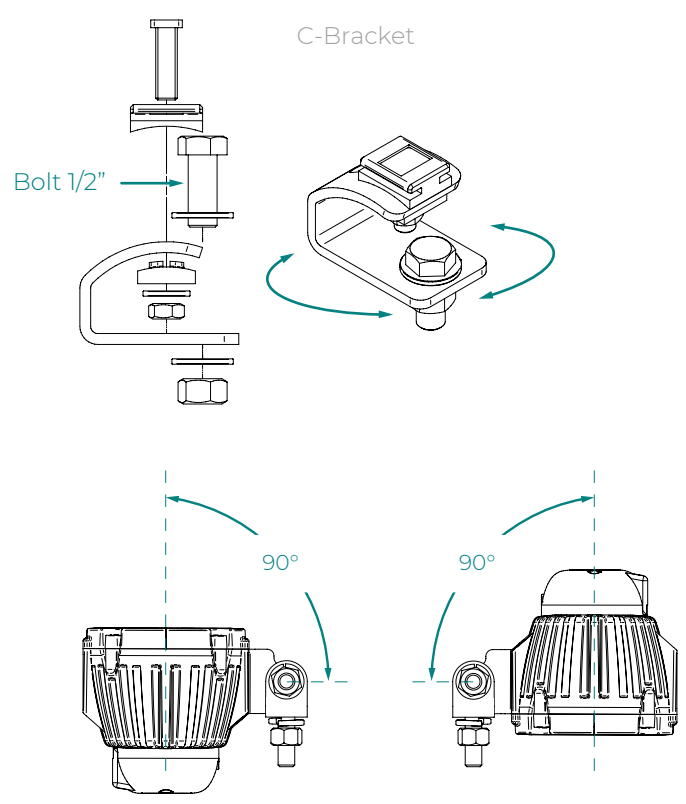
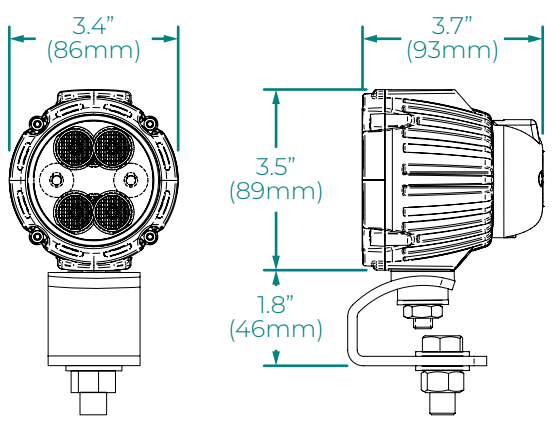
COMPACT WORK LIGHT | 6 LED



Features



- Built-in rocker switch - provides direct ON / OFF function
- 1500 lumens
- Die cast aluminum housing, polycarbonate lens and nylon bezel
- IP68 & IP69K- will withstand dust, dirt, salt spray, and is resistant to water submersion for up to 30 minutes
- Low noise constant current design - for EMI sensitive applications
- Improved thermal performance - uses A380 grade aluminum
- 4 beam patterns - get light where it's needed most
- 50,000+ hours LED service life and 5 year warranty



XWL-810 Switch Series

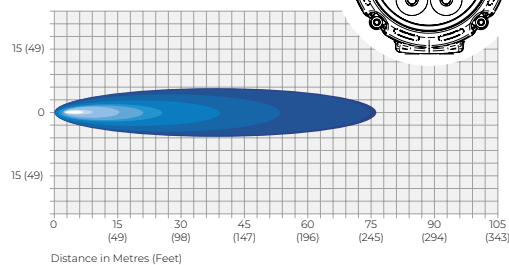
COMPACT WORK LIGHT | 6 LED

Specifications

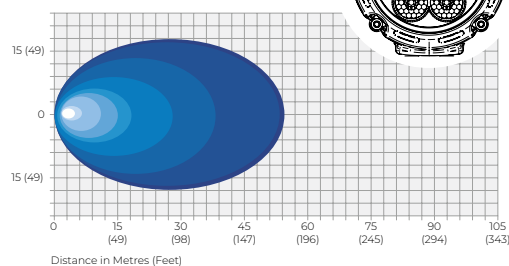
Raw Lumens:	1770
Effective Lumens:	1500
Colour Temperature:	6500K
Operating Voltage:	12 - 24Vdc
Operating Current:	1.2A @ 12Vdc 0.6A @ 24Vdc
Power Consumption:	14W
Temperature Range:	-40°C to +50°C
Ingress Protection:	IP68 & IP69K
Weight:	1.3lbs (0.6kg)
Housing:	Die Cast Aluminum Alloy A380 Black E-Coat
Lens:	Automotive Optical Grade Hard-Coated Polycarbonate
Connection:	6" Wire Leads
Polarity:	Reverse Voltage Protected
Vibration Resistance:	10-500Hz @ 5Grms
Mounting:	C-Bracket (Powder Coated Steel) Swivel Bracket (Zinc Dichromate Plating)
EMC Rated:	EN ISO 13766-1:2018

Beam Patterns

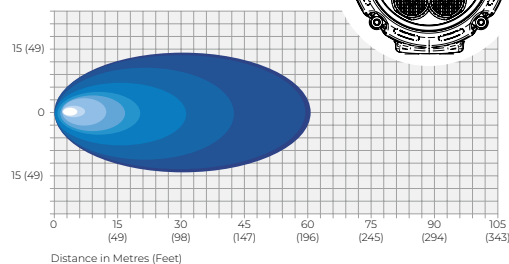
Spot Pattern



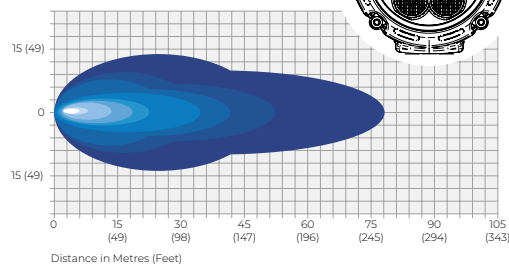
Wide Flood Pattern



Medium Flood Pattern



Hybrid Pattern



Part #	Beam Pattern	Lumens	Operating Voltage
--------	--------------	--------	-------------------

C-Bracket

81271/S	Spot	1500	12 - 24Vdc
81272/S	Wide Flood	1500	12 - 24Vdc
81273/S	Medium Flood	1500	12 - 24Vdc
81274/S	Hybrid	1500	12 - 24Vdc

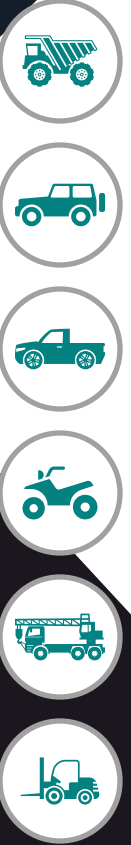
Swivel Bracket

81275/S	Spot	1500	12 - 24Vdc
81276/S	Wide Flood	1500	12 - 24Vdc
81277/S	Medium Flood	1500	12 - 24Vdc
81278/S	Hybrid	1500	12 - 24Vdc

Accessories

HW02A	Hardware Kit C-Bracket
98189	Hardware Kit Swivel Bracket
98195	Easy Grip Handle Black (see page 45)

3000 LUMENS



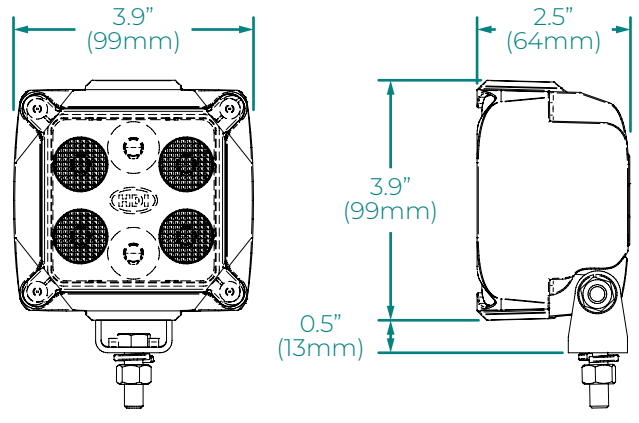
XWL-812 3000 Series WORK LIGHT | 6 LED



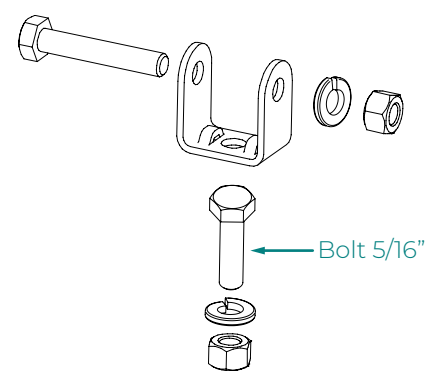
Features



- 3000 lumens
- Die cast aluminum housing and polycarbonate lens
- IP68 & IP69K- will withstand dust, dirt, salt spray, and is resistant to water submersion for up to 30 minutes
- Low noise constant current design - for EMI sensitive applications
- Improved thermal performance - uses A380 grade aluminum
- 3 beam patterns - get light where it's needed most
- 50,000+ hours LED service life and 5 year warranty



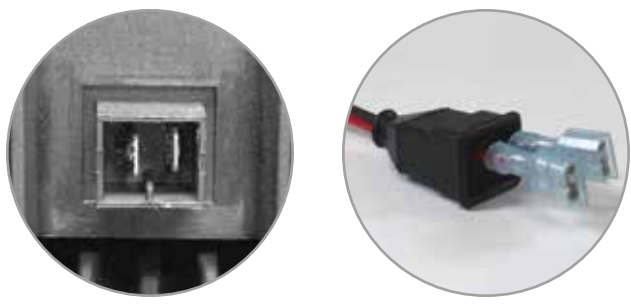
U-Bracket



Connector Options

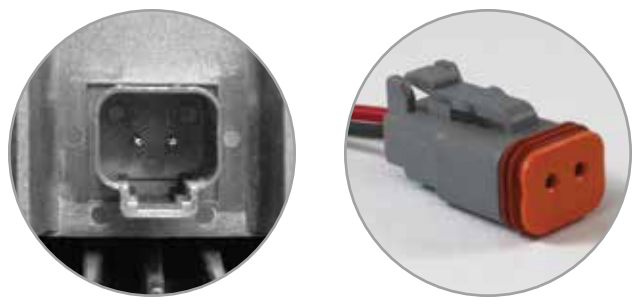
Tyco

Utilizes two quick-connect terminals protected with a rubber housing



Deutsch

An environmentally-sealed 2-pin connector



WORK LIGHTS | XWL-812 SERIES

XWL-812 3000 Series

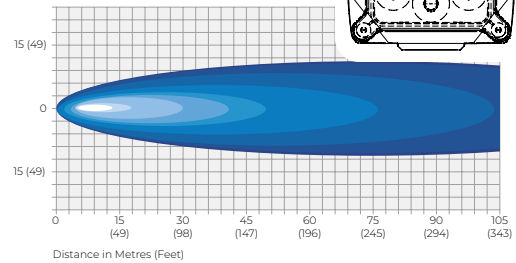
WORK LIGHT | 6 LED

Specifications

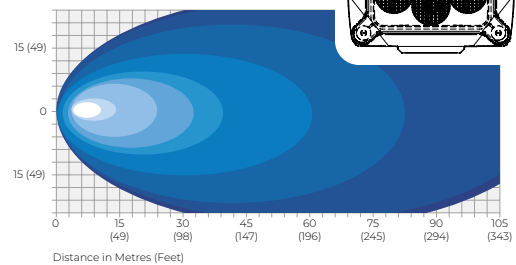
Raw Lumens:	3540
Effective Lumens:	3000
Colour Temperature:	6500K
Operating Voltage:	12 - 24Vdc
Operating Current:	2.8A @ 12Vdc 1.4A @ 24Vdc
Power Consumption:	33W
Temperature Range:	-40°C to +50°C
Ingress Protection:	IP68 & IP69K
Weight:	1.8lbs (0.8kg)
Housing:	Die Cast Aluminum Alloy A380 Black E-Coat
Lens:	Automotive Optical Grade Hard-Coated Polycarbonate
Connection:	Tyco or Deutsch
Polarity:	Reverse Voltage Protected
Vibration Resistance:	10-500Hz @ 5Grms
Mounting:	U-Bracket (Powder Coated Steel)
EMC Rated:	EN ISO 13766-1:2018

Beam Patterns

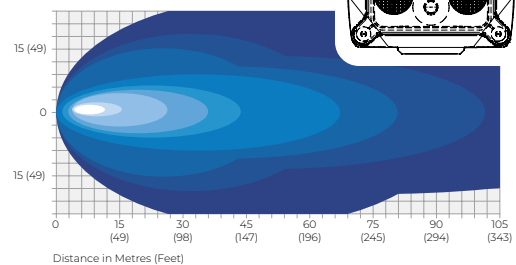
Spot Pattern



Medium Flood Pattern



Hybrid Pattern



Part #	Beam Pattern	Lumens	Operating Voltage
--------	--------------	--------	-------------------

Tyco Connector

81282/B	Spot	3000	12 - 24Vdc
81283/B	Medium Flood	3000	12 - 24Vdc
81284/B	Hybrid	3000	12 - 24Vdc

Deutsch Connector

81282/C	Spot	3000	12 - 24Vdc
81283/C	Medium Flood	3000	12 - 24Vdc
81284/C	Hybrid	3000	12 - 24Vdc

Accessories

81291HW	Hardware Kit U-Bracket
98195	Easy Grip Handle Black (see page 45)

SELECT SERIES

XWL-812 Select Series

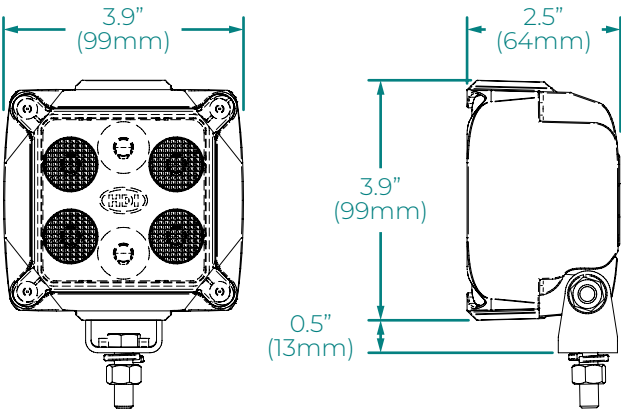
WORK LIGHT | 6 LED



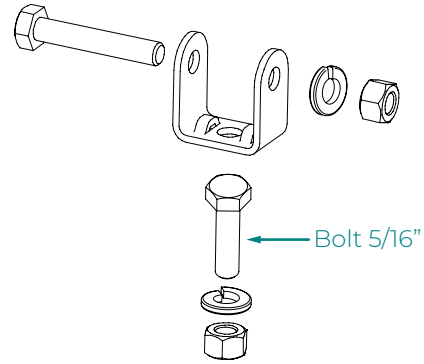
Features



- 1500 lumens
- Die cast aluminum housing and polycarbonate lens
- IP68 & IP69K- will withstand dust, dirt, salt spray, and is resistant to water submersion for up to 30 minutes
- Low noise constant current design - for EMI sensitive applications
- Improved thermal performance - uses A380 grade aluminum
- 3 beam patterns - get light where it's needed most
- 50,000+ hours LED service life and 5 year warranty



U-Bracket



Connector Options

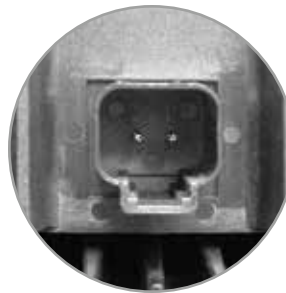
Tyco

Utilizes two quick-connect terminals protected with a rubber housing



Deutsch

An environmentally-sealed 2-pin connector



WORK LIGHTS | XWL-812 SERIES



XWL-812 Select Series

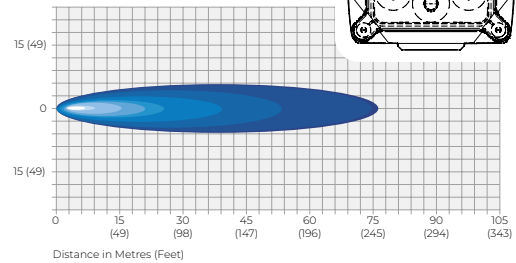
WORK LIGHT | 6 LED

Specifications

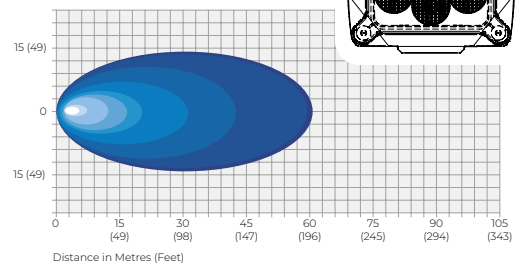
Raw Lumens:	1770
Effective Lumens:	1500
Colour Temperature:	6500K
Operating Voltage:	12 - 24Vdc
Operating Current:	1.3A @ 12Vdc 0.6A @ 24Vdc
Power Consumption:	15W
Temperature Range:	-40°C to +50°C
Ingress Protection:	IP68 & IP69K
Weight:	1.8lbs (0.8kg)
Housing:	Die Cast Aluminum Alloy A380 Black E-Coat
Lens:	Automotive Optical Grade Hard-Coated Polycarbonate
Connection:	Tyco or Deutsch
Polarity:	Reverse Voltage Protected
Vibration Resistance:	10-500Hz @ 5Grms
Mounting:	U-Bracket (Powder Coated Steel)
EMC Rated:	EN ISO 13766-1:2018

Beam Patterns

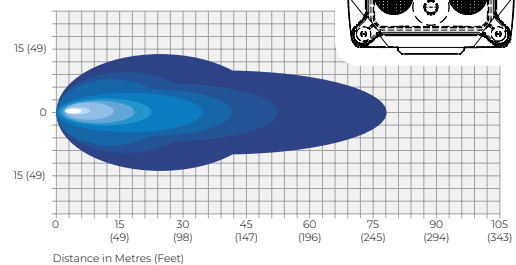
Spot Pattern



Medium Flood Pattern



Hybrid Pattern



Part #	Beam Pattern	Lumens	Operating Voltage
--------	--------------	--------	-------------------

Tyco Connector

81641/B	Spot	1500	12 - 24Vdc
81642/B	Medium Flood	1500	12 - 24Vdc
81643/B	Hybrid	1500	12 - 24Vdc

Deutsch Connector

81641/C	Spot	1500	12 - 24Vdc
81642/C	Medium Flood	1500	12 - 24Vdc
81643/C	Hybrid	1500	12 - 24Vdc

Accessories

81291HW	Hardware Kit U-Bracket
98195	Easy Grip Handle Black (see page 45)

12 - 76V
PREMIUM SERIES

XWL-812 Premium Series

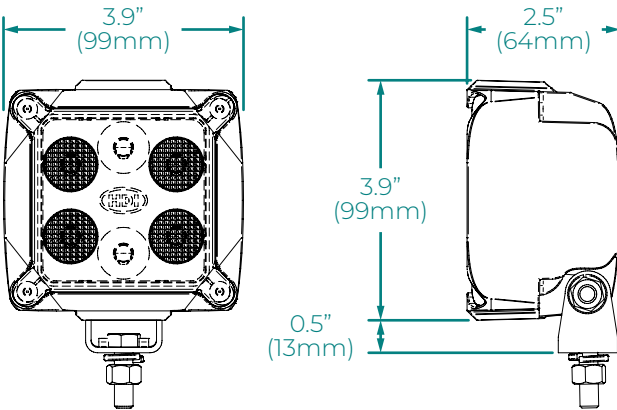
WORK LIGHT | 6 LED



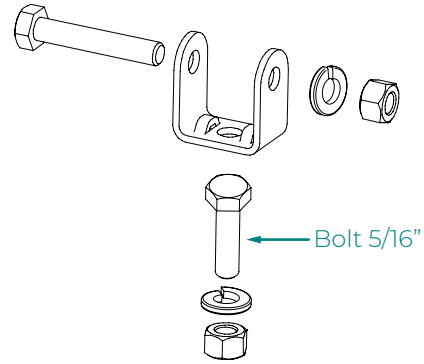
Features



- 12 - 76Vdc operation - functions on a wide range of vehicles
- 1380 lumens
- Die cast aluminum housing and polycarbonate lens
- IP68 & IP69K- will withstand dust, dirt, salt spray, and is resistant to water submersion for up to 30 minutes
- Low noise constant current design - for EMI sensitive applications
- Improved thermal performance - uses A380 grade aluminum
- 3 beam patterns - get light where it's needed most
- 50,000+ hours LED service life and 5 year warranty



U-Bracket



Connector Options

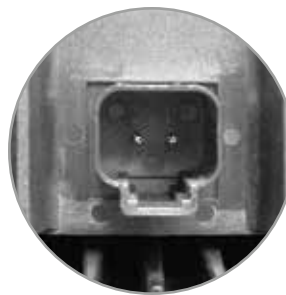
Tyco

Utilizes two quick-connect terminals protected with a rubber housing



Deutsch

An environmentally-sealed 2-pin connector



WORK LIGHTS | XWL-812 SERIES

XWL-812 Premium Series

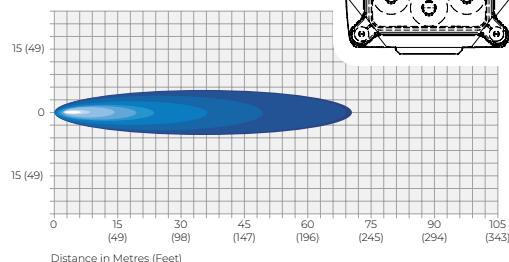
WORK LIGHT | 6 LED

Specifications

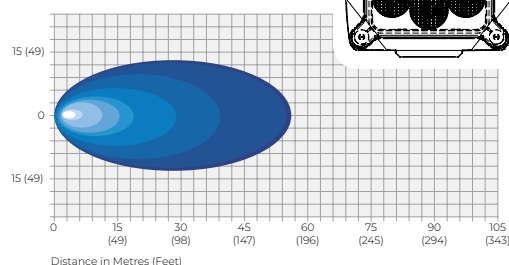
Raw Lumens:	1630
Effective Lumens:	1380
Colour Temperature:	6500K
Operating Voltage:	12 - 76Vdc
Operating Current:	1.2A @ 12Vdc 0.2A @ 76Vdc
Power Consumption:	14W
Temperature Range:	-40°C to +50°C
Ingress Protection:	IP68 & IP69K
Weight:	1.8lbs (0.8kg)
Housing:	Die Cast Aluminum Alloy A380 Black E-Coat
Lens:	Automotive Optical Grade Hard-Coated Polycarbonate
Connection:	Tyco or Deutsch
Polarity:	Reverse Voltage Protected
Vibration Resistance:	10-500Hz @ 5Grms
Mounting:	U-Bracket (Powder Coated Steel)
EMC Rated:	EN ISO 13766-1:2018

Beam Patterns

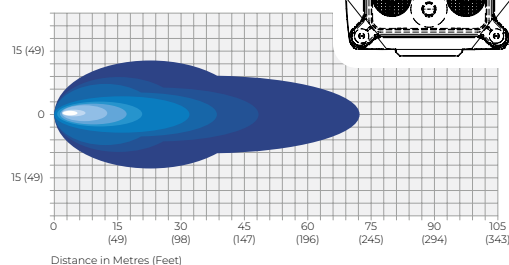
Spot Pattern



Medium Flood Pattern



Hybrid Pattern



Part #	Beam Pattern	Lumens	Operating Voltage
--------	--------------	--------	-------------------

Tyco Connector

82291/B	Spot	1380	12 - 76Vdc
82293/B	Medium Flood	1380	12 - 76Vdc
82294/B	Hybrid	1380	12 - 76Vdc

Deutsch Connector

82291/C	Spot	1380	12 - 76Vdc
82293/C	Medium Flood	1380	12 - 76Vdc
82294/C	Hybrid	1380	12 - 76Vdc

Accessories

81291HW	Hardware Kit U-Bracket
98195	Easy Grip Handle Black (see page 45)



XWL-812 Power Beam Series

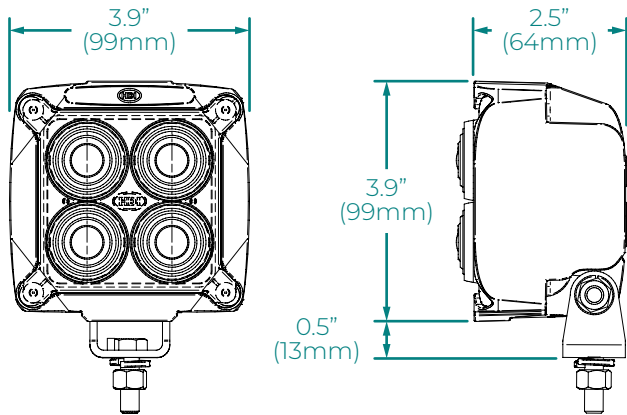
WORK LIGHT | 4 LED



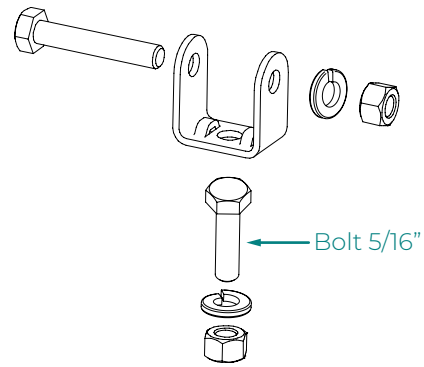
Features



- Produces a crisp, highly concentrated spot beam pattern
- 75000 candela
- Die cast aluminum housing and polycarbonate lens
- IP68 & IP69K- will withstand dust, dirt, salt spray, and is resistant to water submersion for up to 30 minutes
- Low noise constant current design - for EMI sensitive applications
- Improved thermal performance - uses A380 grade aluminum
- 50,000+ hours LED service life and 5 year warranty



U-Bracket



Connector Options

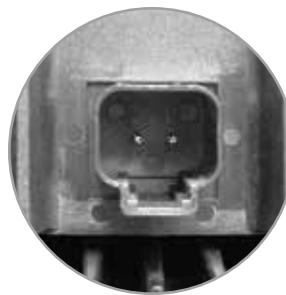
Tyco

Utilizes two quick-connect terminals protected with a rubber housing



Deutsch

An environmentally-sealed 2-pin connector



XWL-812 Power Beam Series

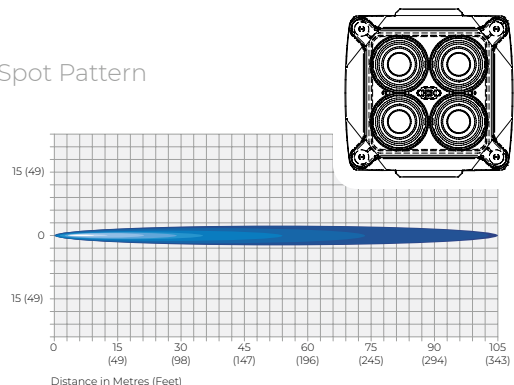
WORK LIGHT | 4 LED

Specifications

Candela:	75000
Colour Temperature:	4000K
Operating Voltage:	12 - 24Vdc
Operating Current:	0.8A @ 12Vdc 0.4A @ 24Vdc
Power Consumption:	10W
Temperature Range:	-40°C to +50°C
Ingress Protection:	IP68 & IP69K
Weight:	1.8lbs (0.8kg)
Housing:	Die Cast Aluminum Alloy A380 Black E-Coat
Lens:	Automotive Optical Grade Hard-Coated Polycarbonate
Connection:	Tyco or Deutsch
Polarity:	Reverse Voltage Protected
Vibration Resistance:	10-500Hz @ 5Grms
Mounting:	U-Bracket (Powder Coated Steel)
EMC Rated:	EN ISO 13766-1:2018

Beam Patterns

Spot Pattern



Part #	Beam Pattern	Candela	Operating Voltage
--------	--------------	---------	-------------------

Tyco Connector

81295/B	Spot	75000	12 - 24Vdc
---------	------	-------	------------

Deutsch Connector

81295/C	Spot	75000	12 - 24Vdc
---------	------	-------	------------

Accessories

81291HW	Hardware Kit U-Bracket
98195	Easy Grip Handle Black (see page 45)



XWL-Par 36 Series

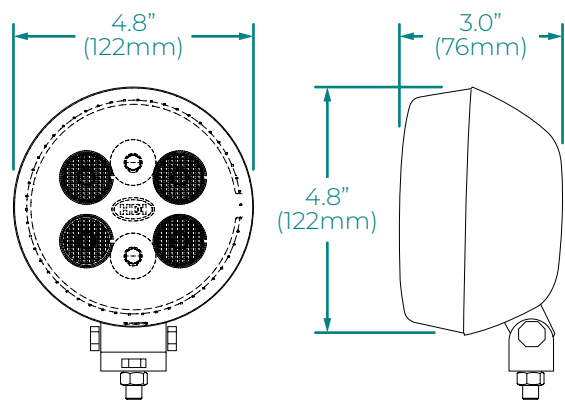
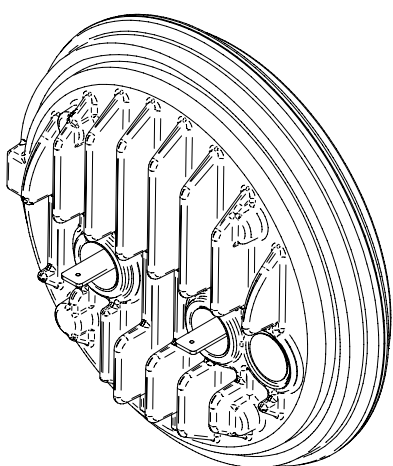
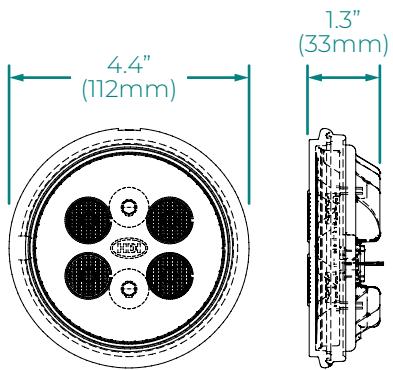
WORK LIGHT MODULE | 6 LED



Features



- 1400 lumens
- Direct replacement LED module - fits into existing Par 36 housing
- Also available with rubber housing and stainless steel mounting bracket & hardware



XWL-Par 36 Series

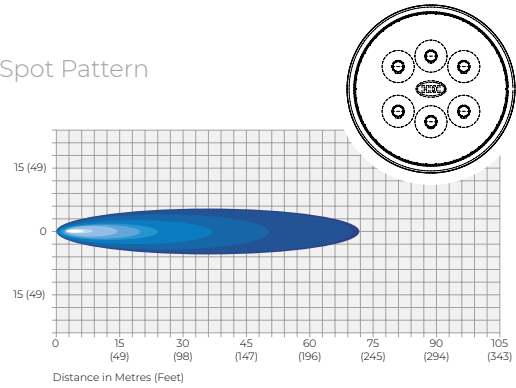
WORK LIGHT MODULE | 6 LED

Specifications

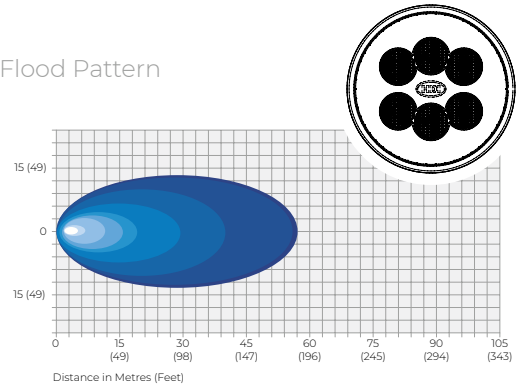
Raw Lumens:	1650	
Effective Lumens:	1400	
Colour Temperature:	6500K	
Operating Voltage:	12 - 24Vdc	
Operating Current:	1.0A @ 12Vdc 0.5A @ 24Vdc	
Power Consumption:	12W	
Temperature Range:	-40°C to +50°C	
Ingress Protection:	IP67	
Weight:	Module Only:	11.1oz (325g)
	With Rubber Housing:	24.4oz (692g)
Housing:	Die Cast Aluminum Black E-Coat	
External Housing:	EPDM Rubber	
Lens:	Automotive Optical Grade Hard-Coated Polycarbonate	
Connection:	1/4" Male Disconnect	
Polarity:	Reverse Voltage Protected	
Mounting:	U-Bracket (Stainless Steel)	

Beam Patterns

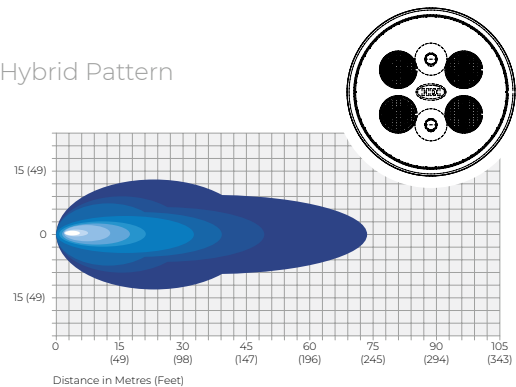
Spot Pattern



Flood Pattern



Hybrid Pattern



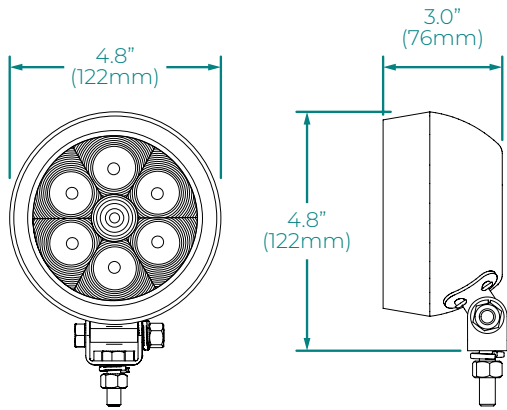
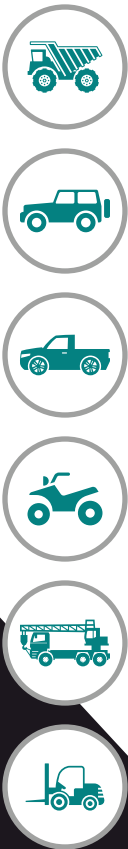
Part #	Beam Pattern	Lumens	Operating Voltage
--------	--------------	--------	-------------------

Module Only

81444	Spot	1400	12 - 24Vdc
81445	Flood	1400	12 - 24Vdc
81446	Hybrid	1400	12 - 24Vdc

With Rubber Housing

81447	Spot	1400	12 - 24Vdc
81448	Flood	1400	12 - 24Vdc
81449	Hybrid	1400	12 - 24Vdc



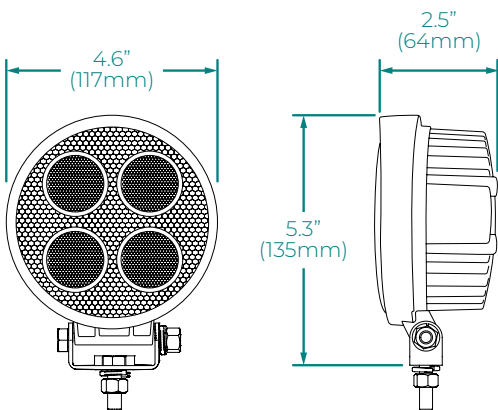
RD-1400 | Par 36 WORK LIGHT | 6 LED



Specifications

Raw Lumens:	1650
Effective Lumens:	1400
Colour Temperature:	6500K
Operating Voltage:	12 - 24Vdc
Operating Current:	0.7A @ 12Vdc 0.3A @ 24Vdc
Power Consumption:	8W
Temperature Range:	-40°C to +50°C
Ingress Protection:	IP66
Weight:	2.0lbs (0.9kg)
External Housing:	EPDM Rubber
Lens:	Automotive Optical Grade Hard-Coated Polycarbonate
Connection:	Bullet
Polarity:	Reverse Voltage Protected
Mounting:	U-Bracket (Stainless Steel)
EMC Rated:	EN ISO 13766-1:2018

Part #	Beam Pattern	Lumens	Operating Voltage
81256/1	Flood	1400	12 - 24Vdc



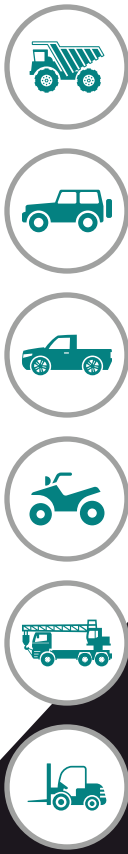
RD-1800 WORK LIGHT | 4 LED



Specifications

Raw Lumens:	2120
Effective Lumens:	1800
Colour Temperature:	6500K
Operating Voltage:	12 - 24Vdc
Operating Current:	1.6A @ 12Vdc 0.8A @ 24Vdc
Power Consumption:	20W
Temperature Range:	-40°C to +50°C
Ingress Protection:	IP68
Weight:	1.7lbs (0.8kg)
Housing:	Die Cast Aluminum Black E-Coat
Lens:	Polycarbonate
Connection:	6" Wire Leads
Polarity:	Reverse Voltage Protected
Mounting:	U-Bracket (Stainless Steel)

Part #	Beam Pattern	Lumens	Operating Voltage
81256/2	Flood	1800	12 - 24Vdc

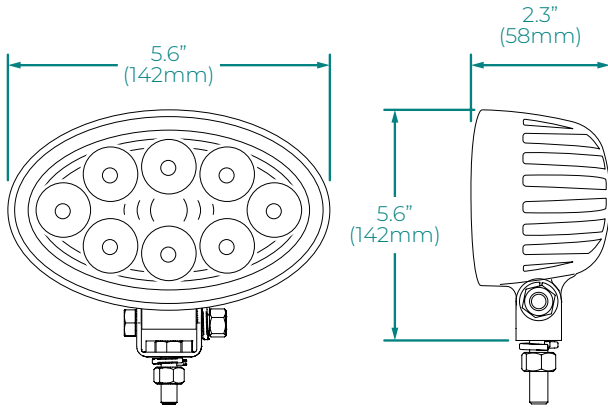


OL-1800 WORK LIGHT | 8 LED



Specifications

Raw Lumens:	2120
Effective Lumens:	1800
Colour Temperature:	6500K
Operating Voltage:	12 - 24Vdc
Operating Current:	1.4A @ 12Vdc 0.7A @ 24Vdc
Power Consumption:	18W
Temperature Range:	-40°C to +50°C
Ingress Protection:	IP68
Weight:	1.4lbs (0.6kg)
Housing:	Die Cast Aluminum Black E-Coat
Lens:	Polycarbonate
Connection:	6" Wire Leads
Polarity:	Reverse Voltage Protected
Mounting:	U-Bracket (Stainless Steel)



Part #	Beam Pattern	Lumens	Operating Voltage
81257	Flood	1800	12 - 24Vdc

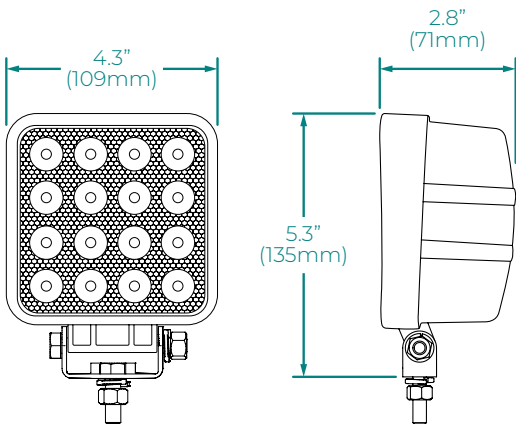


SQ-3000 WORK LIGHT | 16 LED

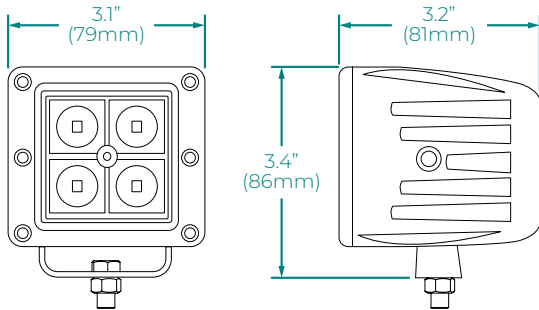


Specifications

Raw Lumens:	3540
Effective Lumens:	3000
Colour Temperature:	6500K
Operating Voltage:	12 - 24Vdc
Operating Current:	4.0A @ 12Vdc 2.0A @ 24Vdc
Power Consumption:	48W
Temperature Range:	-40°C to +50°C
Ingress Protection:	IP68
Weight:	1.9lbs (0.9kg)
Housing:	Die Cast Aluminum Black E-Coat
Lens:	Polycarbonate
Connection:	6" Wire Leads
Polarity:	Reverse Voltage Protected
Mounting:	U-Bracket (Stainless Steel)



Part #	Beam Pattern	Lumens	Operating Voltage
81258	Flood	3000	12 - 24Vdc



Mini Cube LED Kit WORK LIGHT | 4 LED



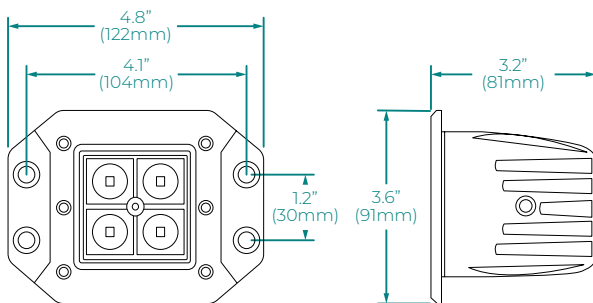
Specifications

Raw Lumens:	1270
Effective Lumens:	1080
Colour Temperature:	6500K
Operating Voltage:	12 - 24Vdc
Operating Current:	1.3A @ 12Vdc 0.7A @ 24Vdc
Power Consumption:	16W
Temperature Range:	-40°C to +50°C
Ingress Protection:	IP67
Weight:	19.5oz (552g)
Housing:	Die Cast Aluminum
Lens:	Polycarbonate
Connection:	Plug & Play Wire Harness
Polarity:	Reverse Voltage Protected
Mounting:	U-Bracket (Powder Coated Steel)
Kit Includes:	Two Lights, Plug & Play Wire Harness with Switch & Relay, Mounting Brackets and Hardware

Part #	Beam Pattern	Lumens	Operating Voltage
--------	--------------	--------	-------------------

81724	Flood	1080	12 - 24Vdc
-------	-------	------	------------

Flush Mount LED Kit WORK LIGHT | 4 LED



Specifications

Raw Lumens:	1270
Effective Lumens:	1080
Colour Temperature:	6500K
Operating Voltage:	12 - 24Vdc
Operating Current:	1.3A @ 12Vdc 0.7A @ 24Vdc
Power Consumption:	16W
Temperature Range:	-40°C to +50°C
Ingress Protection:	IP67
Weight:	21.0oz (594g)
Housing:	Die Cast Aluminum
Lens:	Polycarbonate
Connection:	Plug & Play Wire Harness
Polarity:	Reverse Voltage Protected
Mounting:	Four Bolts
Kit Includes:	Two Lights, Plug & Play Wire Harness with Switch & Relay, and Hardware

Part #	Beam Pattern	Lumens	Operating Voltage
--------	--------------	--------	-------------------

81725	Spot	1080	12 - 24Vdc
81726	Flood	1080	12 - 24Vdc

Easy-Grip Handle

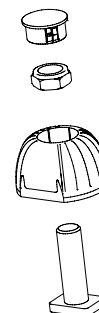
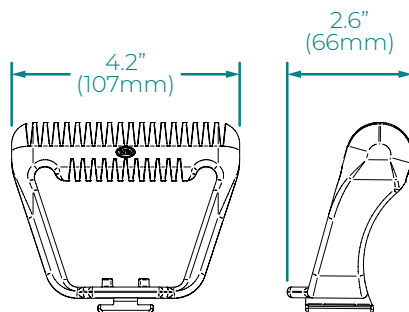


Features



- Installs on the following models:
XWL-816 | XWL-800 | XWL-810 | XWL-812

Part #	Description
98195	Easy-Grip Handle Black



C-Bracket



Part #	Description
HW02A	Hardware Kit C-Bracket



Swivel Bracket



Part #	Description
98189	Hardware Kit Swivel Bracket



U-Bracket | XWL-812



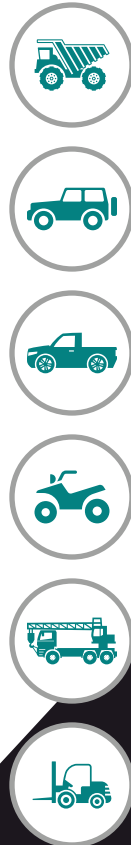
Part #	Description
81291HW	Hardware Kit U-Bracket



U-Bracket | XWL-816



Part #	Description
98197	Hardware Kit U-Bracket





Contents

LED Headlight Modules	47 - 50
Halogen Headlight Modules	51
Snow Plow Headlights	52 - 53
Fog Lights	54



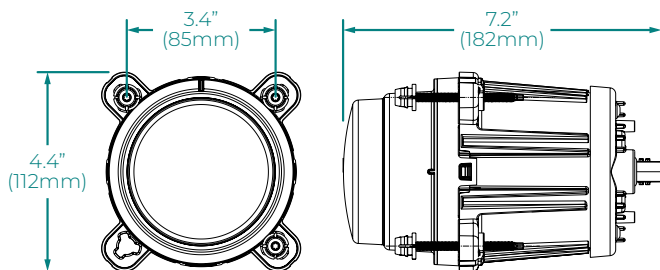
LED Headlight Module 90mm | LOW BEAM



Specifications



Operating Voltage: 12 - 24Vdc
 Operating Current: 1.8A @ 12Vdc
 0.9A @ 24Vdc
 Power Consumption: 22W
 Temperature Range: -40°C to +50°C
 Ingress Protection: IP68 & IP69K
 Weight: 2.2lbs (1.0kg)
 Housing: Die Cast Aluminum
 Black E-Coat
 Lens: Automotive Optical Grade
 Hard-Coated Polycarbonate
 Connection: 2-Way Tyco #1-1703841-1
 Polarity: Reverse Voltage Protected
 Compliance: SAE / DOT



Part #	Description	Operating Voltage
76868	LED Headlight Module 90mm Low Beam	12 - 24Vdc
98142	Adjustment Bolt Kit (includes one (1) set - bolt, fixing base & pivot)	

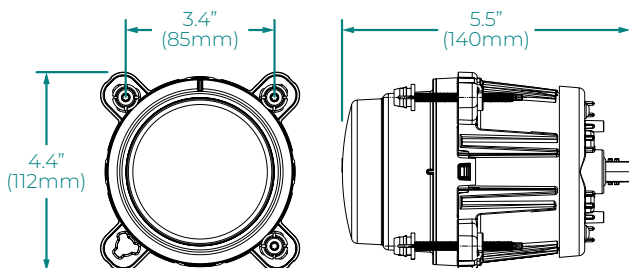
LED Headlight Module 90mm | HIGH BEAM



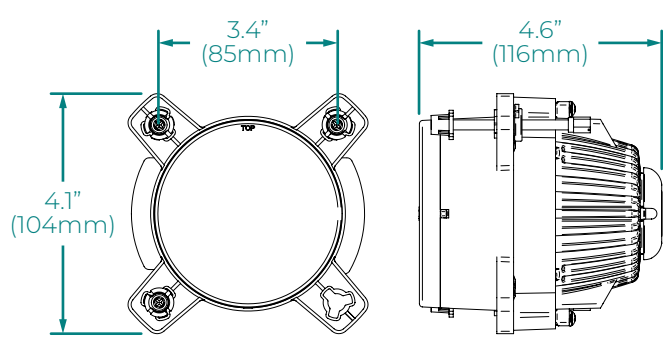
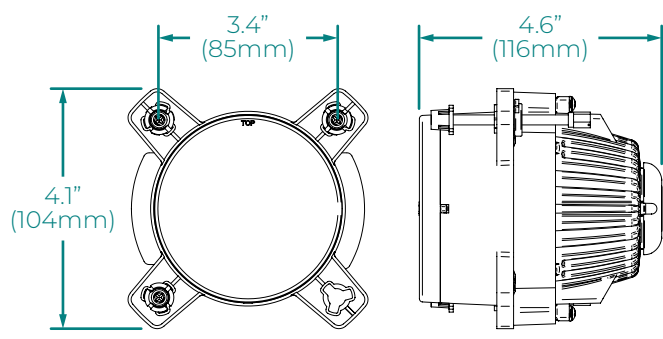
Specifications



Operating Voltage: 12 - 24Vdc
 Operating Current: 1.8A @ 12Vdc
 0.9A @ 24Vdc
 Power Consumption: 22W
 Temperature Range: -40°C to +50°C
 Ingress Protection: IP68 & IP69K
 Weight: 1.5lbs (0.7kg)
 Housing: Die Cast Aluminum
 Black E-Coat
 Lens: Automotive Optical Grade
 Hard-Coated Polycarbonate
 Connection: 2-Way Tyco #1-1703841-1
 Polarity: Reverse Voltage Protected
 Compliance: SAE / DOT | ECE



Part #	Description	Operating Voltage
76866	LED Headlight Module 90mm High Beam	12 - 24Vdc
98142	Adjustment Bolt Kit (includes one (1) set - bolt, fixing base & pivot)	



LED Headlight Module 90mm | LOW BEAM

Specifications



- Operating Voltage: 12 - 24Vdc
- Operating Current: 1.1A @ 12Vdc
0.5A @ 24Vdc
- Power Consumption: 13W
- Temperature Range: -40°C to +50°C
- Ingress Protection: IP68 & IP69K
- Weight: 2.0lbs (0.9kg)
- Housing: Die Cast Aluminum
Black E-Coat
- Lens: Automotive Optical Grade
Hard-Coated Polycarbonate
- Connection: 3-Way
- Polarity: Reverse Voltage Protected
- Compliance: SAE / DOT

Part #	Description	Operating Voltage
71075	LED Headlight Module 90mm Low Beam	12 - 24Vdc
98135	Adjustment Bolt Kit (includes three (3) sets - bolt, fixing base & pivot)	

LED Headlight Module 90mm | HIGH BEAM

Specifications



- Operating Voltage: 12 - 24Vdc
- Operating Current: 1.2A @ 12Vdc
0.6A @ 24Vdc
- Power Consumption: 14W
- Temperature Range: -40°C to +50°C
- Ingress Protection: IP68 & IP69K
- Weight: 2.0lbs (0.9kg)
- Housing: Die Cast Aluminum
Black E-Coat
- Lens: Automotive Optical Grade
Hard-Coated Polycarbonate
- Connection: 2-Way
- Polarity: Reverse Voltage Protected
- Compliance: SAE / DOT

Part #	Description	Operating Voltage
71079	LED Headlight Module 90mm High Beam	12 - 24Vdc
98135	Adjustment Bolt Kit (includes three (3) sets - bolt, fixing base & pivot)	



LED Headlight Module

4" x 6" | LOW BEAM

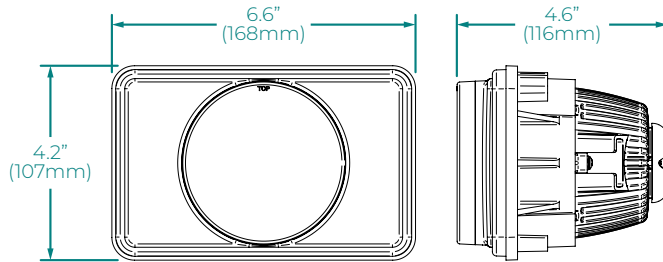


Specifications

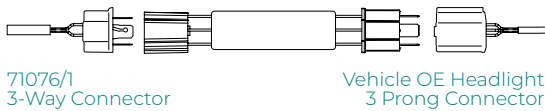


Operating Voltage: 12 - 24Vdc
 Operating Current: 1.1A @ 12Vdc
 0.5A @ 24Vdc
 Power Consumption: 13W
 Temperature Range: -40°C to +50°C
 Ingress Protection: IP68 & IP69K
 Weight: 2.0lbs (0.9kg)
 Housing: Die Cast Aluminum
 Black E-Coat

Lens: Automotive Optical Grade
 Hard-Coated Polycarbonate
 Connection: 3-Way
 Polarity: Reverse Voltage Protected
 Compliance: SAE / DOT



98302 Wire Harness Adapter



71076/1
3-Way Connector

Vehicle OE Headlight
3 Prong Connector

Part #	Description	Operating Voltage
71076/1	LED Headlight Module 4" x 6" Low Beam	12 - 24Vdc
98302	Wire Harness Adapter (included)*	



LED Headlight Module

4" x 6" | HIGH BEAM

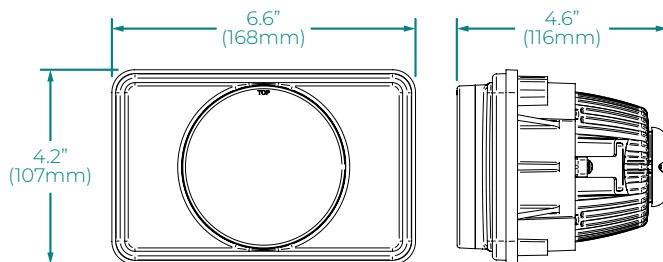


Specifications

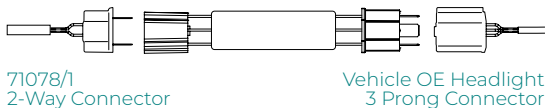


Operating Voltage: 12 - 24Vdc
 Operating Current: 1.2A @ 12Vdc
 0.6A @ 24Vdc
 Power Consumption: 14W
 Temperature Range: -40°C to +50°C
 Ingress Protection: IP68 & IP69K
 Weight: 2.0lbs (0.9kg)
 Housing: Die Cast Aluminum
 Black E-Coat

Lens: Automotive Optical Grade
 Hard-Coated Polycarbonate
 Connection: 2-Way
 Polarity: Reverse Voltage Protected
 Compliance: SAE / DOT



98302 Wire Harness Adapter



71078/1
2-Way Connector

Vehicle OE Headlight
3 Prong Connector

Part #	Description	Operating Voltage
71078/1	LED Headlight Module 4" x 6" High Beam	12 - 24Vdc
98302	Wire Harness Adapter (included)*	

* Prevents vehicles with bulb outage warning indicators from engaging due to low current draw

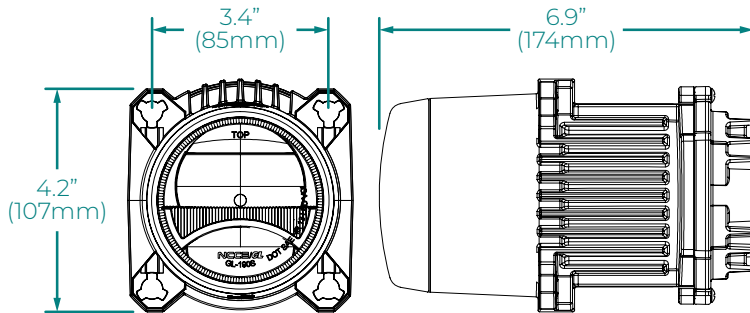


Bi-LED Headlight Module

90mm | HIGH & LOW BEAM

Specifications

Operating Voltage:	12 - 24Vdc
Operating Current:	Low Beam: 3.3A @ 12Vdc 1.7A @ 24Vdc High Beam: 4.2A @ 12Vdc 2.1A @ 24Vdc
Power Consumption:	Low Beam: 40W High Beam: 50W
Temperature Range:	-40°C to +50°C
Ingress Protection:	IP68 & IP69K
Weight:	2.9lbs (1.3kg)
Housing:	Die Cast Aluminum Black E-Coat
Lens:	Hard-Coated Glass
Connection:	AMP #282087-1
Compliance:	SAE / DOT ECE



Part #	Description	Operating Voltage
71074	Bi-LED Headlight Module 90mm High & Low Beam	12 - 24Vdc
98143	Adjustment Bolt Kit (includes three (3) sets - bolt, fixing base, pivot & locking ring)	

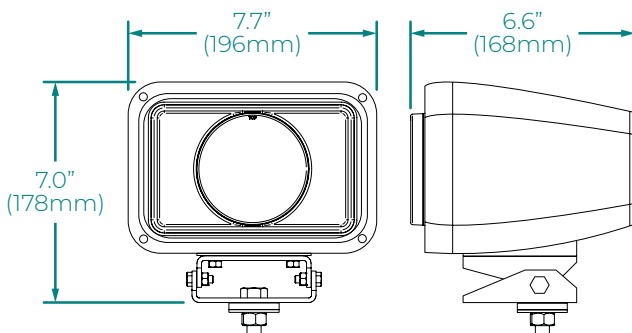


LED Auxiliary Light

ON-ROAD

Specifications

Operating Voltage:	12 - 24Vdc
Operating Current:	1.1A @ 12Vdc 0.5A @ 24Vdc
Power Consumption:	13W
Temperature Range:	-40°C to +50°C
Ingress Protection:	IP68 & IP69K
Weight:	4.2lbs (1.9kg)
External Housing:	Polycarbonate
Lens:	Automotive Optical Grade Hard-Coated Polycarbonate
Connection:	3-Way
Polarity:	Reverse Voltage Protected
Mounting:	U-Bracket
Compliance:	SAE / DOT



Part #	Description	Operating Voltage
71082	LED Auxiliary Light On-Road Low Beam	12 - 24Vdc
71083	LED Auxiliary Light On-Road High Beam	12 - 24Vdc



Halogen Headlight Module

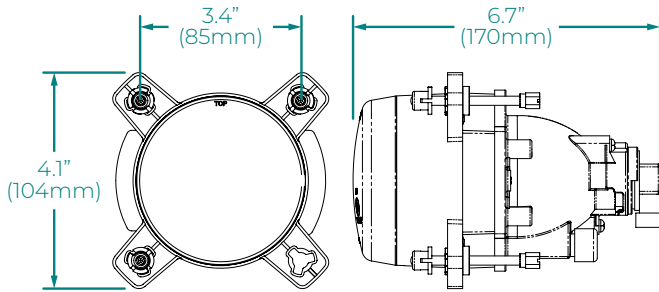
90mm | LOW BEAM



Specifications



Operating Voltage: 12Vdc
 Operating Current: 4.6A @ 12Vdc
 Power Consumption: 55W
 Bulb: H11
 Temperature Range: -40°C to +50°C
 Ingress Protection: IP68 & IP69K
 Weight: 1.5lbs (0.7kg)
 Housing: Die Cast Aluminum
 Black Alloy
 Lens: Hardened Glass
 Connection: Delphi
 Compliance: SAE / DOT



Part #	Description	Operating Voltage
71057	Halogen Headlight Module 90mm Low Beam	12Vdc
85116	Bulb H11 12V 55W	
98135	Adjustment Bolt Kit (includes three (3) sets - bolt, fixing base & pivot)	



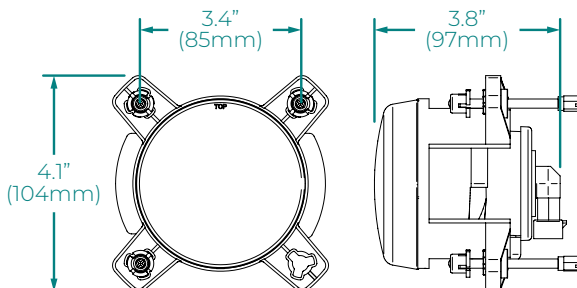
Halogen Headlight Module

90mm | HIGH BEAM

Specifications



Operating Voltage: 12Vdc
 Operating Current: 5.4A @ 12Vdc
 Power Consumption: 65W
 Bulb: H9
 Temperature Range: -40°C to +50°C
 Ingress Protection: IP68 & IP69K
 Weight: 1.0lbs (0.4kg)
 Housing: Die Cast Aluminum
 Black Alloy
 Lens: Hardened Glass
 Connection: Delphi
 Compliance: SAE / DOT

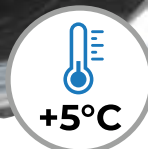


Part #	Description	Operating Voltage
71051	Halogen Headlight Module 90mm High Beam	12Vdc
85115	Bulb H9 12V 65W	
98135	Adjustment Bolt Kit (includes three (3) sets - bolt, fixing base & pivot)	

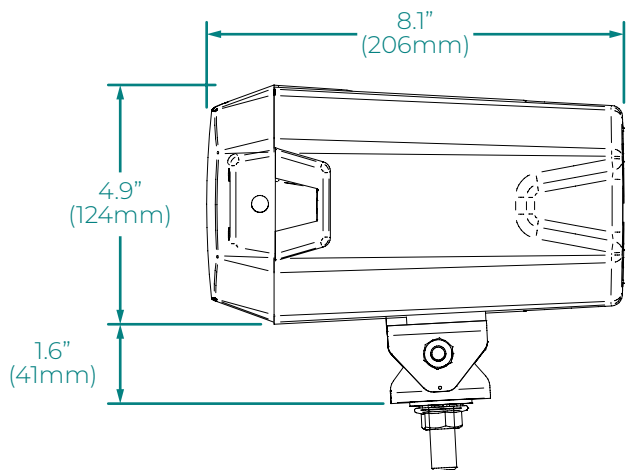
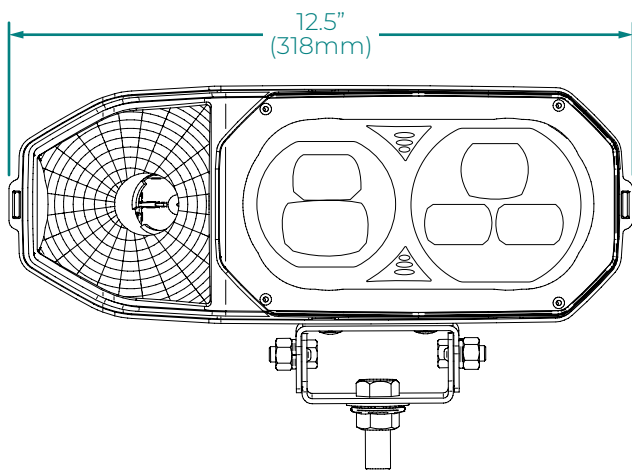


LED Snow Plow Headlight Kit

INTEGRATED HEAT GRID



Smart Sensor



Heat grid activates automatically only at temperatures below +5°C



Specifications

- Operating Voltage: 12Vdc
- Operating Current: Low Beam: 1.0A @ 12Vdc
High Beam: 1.3A @ 24Vdc
Heat Grid: 1.0A @ 12Vdc
- Power Consumption: Low Beam: 12W
High Beam: 16W
Heat Grid: 12W (Max 24W)
- Heat Grid: Activates with Low Beam and/or High Beam at Temperatures Below +5°C
- Temperature Range: -40°C to +50°C
- Ingress Protection: IP68 & IP69K
- Weight: 5.5lbs (2.5kg)
- Housing: Polypropylene
- Lens: Polycarbonate
- Connection: 30" Wire Leads
- Polarity: Reverse Voltage Protected
- Vibration Resistance: 10-500Hz @ 5Grms
- Mounting: U-Bracket (Powder Coated Steel)
- Compliance: SAE / DOT
- Kit Includes: Two Lights, Mounting Brackets and Hardware

Part #	Description	Operating Voltage
81092	LED Snow Plow Headlight Kit	12Vdc
10-1157NA	Bulb 1157NA Amber	
W81092	Wire Harness (Single)	
81-W540	Hardware Kit (Set of 2)	

FORWARD LIGHTING | SNOW PLOW

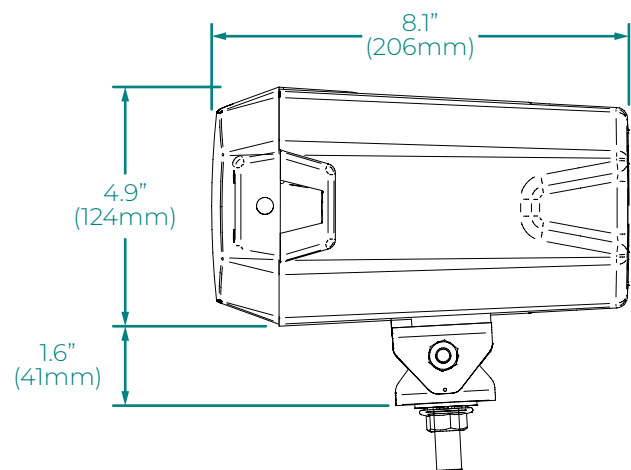
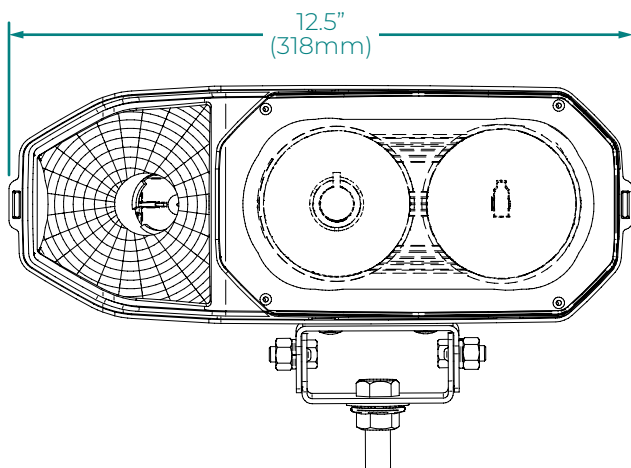


Snow Plow Headlight Kit

COMBINATION HEADLIGHT



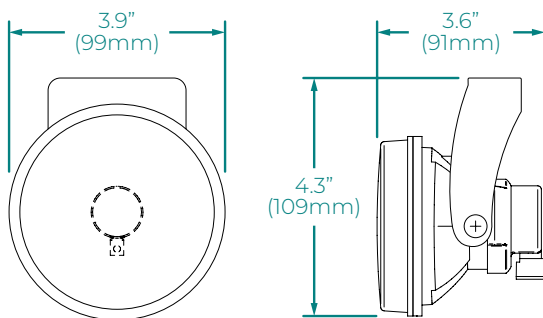
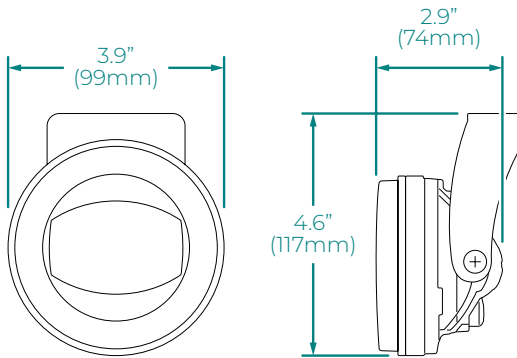
FORWARD LIGHTING | SNOW PLOW



Specifications

Operating Voltage:	12Vdc
Operating Current:	4.6A @ 12Vdc
Power Consumption:	55W
Temperature Range:	-40°C to +50°C
Ingress Protection:	IP68 & IP69K
Weight:	5.5lbs (2.5kg)
Housing:	Polypropylene
Lens:	Polycarbonate
Connection:	30" Wire Leads
Polarity:	Reverse Voltage Protected
Vibration Resistance:	10-500Hz @ 5Grms
Mounting:	U-Bracket (Powder Coated Steel)
Compliance:	SAE / DOT
Kit Includes:	Two Lights, Mounting Brackets and Hardware

Part #	Description	Operating Voltage
81091/2	Snow Plow Headlight Kit	12Vdc
85045	Bulb H1 12V 55W High Beam	
85101	Bulb H7 12V 55W Low Beam	
10-1157NA	Bulb 1157NA Amber	
81-W540	Hardware Kit (Set of 2)	



LED Fog Light Kit

100mm

Specifications

Operating Voltage:	12 - 24Vdc
Operating Current:	0.6A @ 12Vdc 0.3A @ 24Vdc
Power Consumption:	8W
Temperature Range:	-40°C to +50°C
Ingress Protection:	IP68
Weight:	0.6lbs (0.3kg)
Housing:	Die Cast Aluminum
Lens:	Polycarbonate
Connection:	14" Wire Lead
Compliance:	SAE / DOT
Kit Includes:	Two Lights, Mounting Brackets and Hardware



Part #	Description	Operating Voltage
--------	-------------	-------------------

83235	LED Fog Light Kit 100mm	12 - 24Vdc
-------	---------------------------	------------

Halogen Fog Light Kit

100mm

Specifications

Operating Voltage:	12Vdc
Operating Current:	4.6A @ 12Vdc
Power Consumption:	55W
Bulb:	H3
Temperature Range:	-40°C to +50°C
Ingress Protection:	IP68
Weight:	0.6lbs (0.3kg)
Housing:	Die Cast Aluminum
Lens:	Hardened Glass or Polycarbonate
Connection:	14" Wire Lead
Compliance:	SAE / DOT
Kit Includes:	Two Lights, Mounting Brackets and Hardware



Part #	Description	Operating Voltage
--------	-------------	-------------------

83059	Halogen Fog Light Kit 100mm Glass Lens	12Vdc
83059J	Halogen Fog Light Kit 100mm Polycarbonate Lens	12Vdc
85066	Bulb H3 12V 55W	

WARNING & SAFETY



Contents

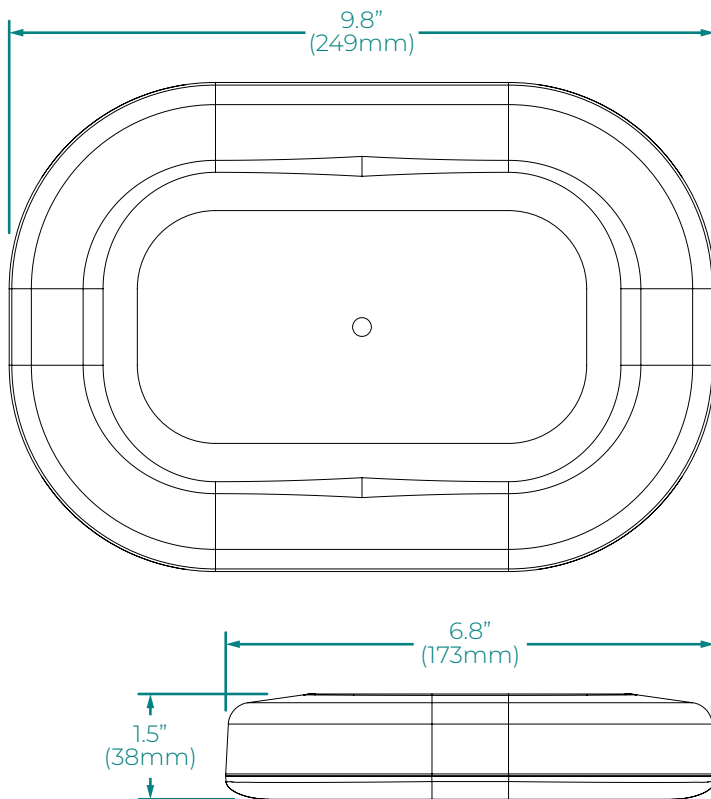
Strobe Beacons	56 - 57
Safety Lights	58 - 62
Back Up Alarms	63 - 67

LED Strobe Beacon

OVAL



WARNING & SAFETY | STROBE BEACONS



Specifications



Operating Voltage:	12 - 24Vdc
Operating Current:	2.1A @ 12Vdc 1.0A @ 24Vdc
Maximum Current:	4.2A @ 12Vdc 2.1A @ 24Vdc
Power Consumption:	25W
Max. Power Consumption:	50W
Temperature Range:	-40°C to +50°C
Ingress Protection:	IP69K
Weight:	2.8lbs (1.3kg)
Housing:	Black ABS
Lens:	Polycarbonate
Connection:	Wire Leads
Mounting:	Permanent
LEDs:	30
Colour:	Amber
Flash Patterns:	23
Fuse Recommended:	8A
Compliance:	SAE J845 Class 1 CA Title 13

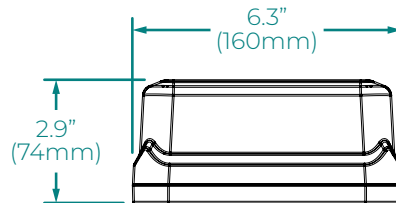
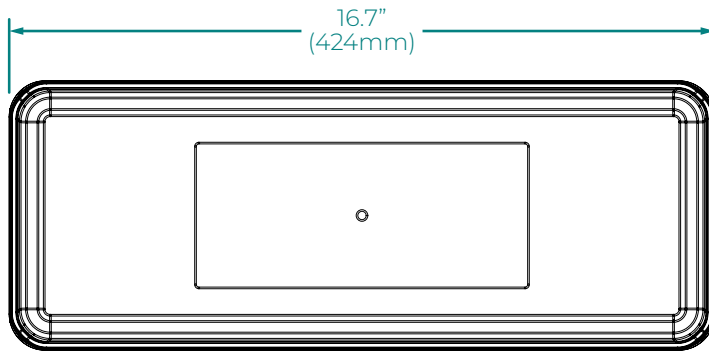
Part #	Description	Operating Voltage
81542	LED Strobe Beacon Permanent Mount	12 - 24Vdc

LED Strobe Beacon RECTANGULAR



Specifications

Operating Voltage:	12Vdc
Operating Current:	1.6A @ 12Vdc
Maximum Current:	3.2A @ 12Vdc
Power Consumption:	19W
Max. Power Consumption:	38W
Temperature Range:	-40°C to +50°C
Ingress Protection:	IP69K
Weight:	3.4lbs (1.5kg)
Housing:	Black ABS
Lens:	Polycarbonate
Connection:	Wire Leads
Mounting:	Permanent
LEDs:	18
Colour:	Amber
Flash Patterns:	19
Fuse Recommended:	8A
Compliance:	SAE J845 Class 1 CA Title 13



Part #	Description	Operating Voltage
81544	LED Strobe Beacon Permanent Mount	12Vdc

ADHESIVE MOUNT

LED Hazard Warning Strobe

FLASHING WARNING LIGHT



Specifications



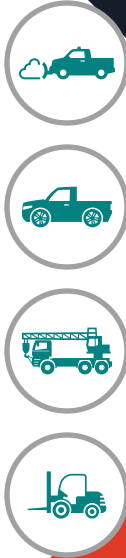
Operating Voltage:	12Vdc
Operating Current:	100mA @ 12Vdc (avg. flashing)
Maximum Current:	200mA @ 12Vdc
Power Consumption:	1.2W
Max. Power Consumption:	24W
Temperature Range:	-40°C to +50°C
Ingress Protection:	IP69K
Weight:	2.3oz (65g)
Housing:	Black ABS
Lens:	Polycarbonate
Connection:	6" Wire Leads
Adhesive Mount:	3M Double-Sided VHB Tape
Compliance:	SAE J595 Class 2

Part #	Description	Flash Colour Pattern	Operating Voltage
81550	LED Hazard Warning Strobe Amber - White		12Vdc
81551	LED Hazard Warning Strobe Amber - Amber		12Vdc
81552	LED Hazard Warning Strobe Blue - Blue		12Vdc
81553	LED Hazard Warning Strobe Green - Green		12Vdc
81554	LED Hazard Warning Strobe Red - Red		12Vdc

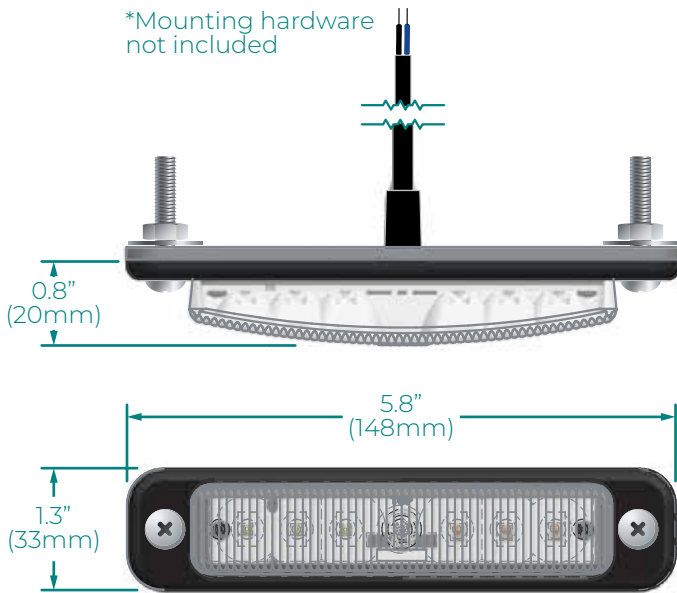


LED Hazard Warning Strobe FLASHING WARNING LIGHT

MECHANICAL MOUNT



*Mounting hardware not included



Specifications

Operating Voltage:	12Vdc
Operating Current:	100mA @ 12Vdc (avg. flashing)
Maximum Current:	200mA @ 12Vdc
Power Consumption:	1.2W
Max. Power Consumption:	24W
Temperature Range:	-40°C to +50°C
Ingress Protection:	IP69K
Weight:	2.3oz (65g)
Housing:	Black ABS
Lens:	Polycarbonate
Connection:	6" Wire Leads
Mechanical Mount:	Customer Specific (not included)
Compliance:	SAE J595 Class 2



Part #	Description	Flash Colour Pattern	Operating Voltage
81565	LED Hazard Warning Strobe Amber - White		12Vdc
81566	LED Hazard Warning Strobe Amber - Amber		12Vdc
81567	LED Hazard Warning Strobe Blue - Blue		12Vdc
81568	LED Hazard Warning Strobe Green - Green		12Vdc
81569	LED Hazard Warning Strobe Red - Red		12Vdc



XWL-812 Blue LED Series SAFETY LIGHT | 4 LED



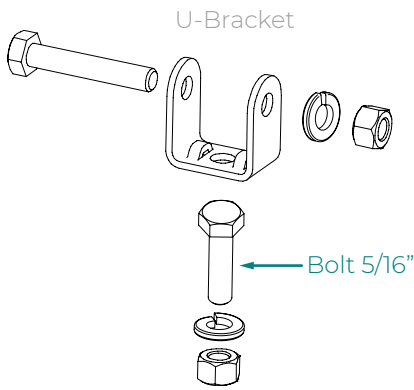
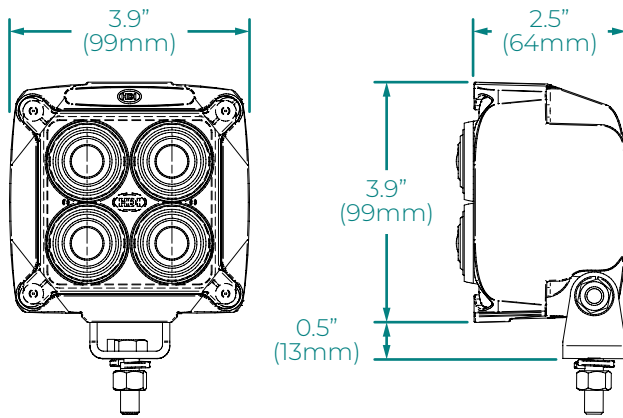
Features



- 480nm wavelength - visible in warehouse environments, making it ideal for forklifts, load trucks, AGVs and other industrial vehicles used in close proximity to pedestrians
- Blue beam precedes vehicle by 6' (5m) - provides visual warning to alert pedestrians of approaching machinery
- 12 - 48Vdc operation - functions on heavy duty vehicles

Specifications

Operating Voltage:	12 - 48Vdc
Operating Current:	0.8A @ 12Vdc 0.2A @ 48Vdc
Power Consumption:	10W
Temperature Range:	-40°C to +50°C
Ingress Protection:	IP68 & IP69K
Weight:	1.5lbs (0.7kg)
Housing:	Die Cast Aluminum Alloy A380 Black E-Coat
Lens:	Automotive Optical Grade Hard-Coated Polycarbonate
Connection:	Tyco or Deutsch
Polarity:	Reverse Voltage Protected
Vibration Resistance:	10-500Hz @ 5Grms
Mounting:	U-Bracket (Powder Coated Steel)
EMC Rated:	EN ISO 13766-1:2018



Part #	Connector	Lumens	Operating Voltage
82295/B	Tyco	150	12 - 48Vdc
82295/C	Deutsch	150	12 - 48Vdc

Accessories

81291HW	Hardware Kit U-Bracket
---------	--------------------------

Connector Options

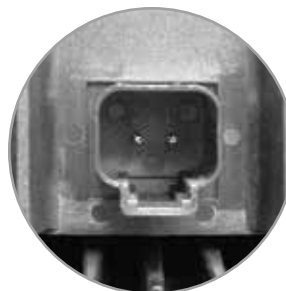
Tyco

Utilizes two quick-connect terminals protected with a rubber housing



Deutsch

An environmentally-sealed 2-pin connector



XWL-812 Red LED Series

SAFETY LIGHT | 4 LED



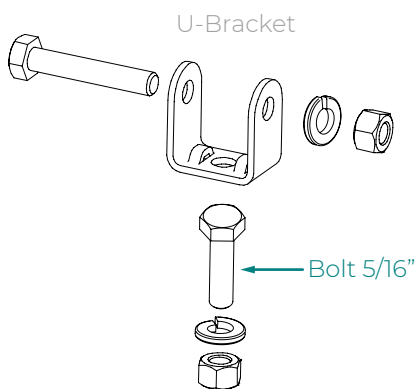
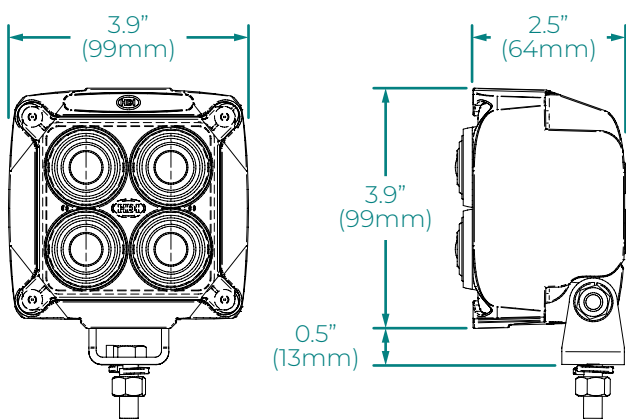
Features



- Visible in warehouse environments, making it ideal for forklifts, load trucks, AGVs and other industrial vehicles used in close proximity to pedestrians
- Red beam precedes vehicle by 6' (5m) - provides visual warning to alert pedestrians of approaching machinery
- 12 - 48Vdc operation - functions on heavy duty vehicles

Specifications

Operating Voltage:	12 - 48Vdc
Operating Current:	0.8A @ 12Vdc 0.2A @ 48Vdc
Power Consumption:	10W
Temperature Range:	-40°C to +50°C
Ingress Protection:	IP68 & IP69K
Weight:	1.5lbs (0.7kg)
Housing:	Die Cast Aluminum Alloy A380 Black E-Coat
Lens:	Automotive Optical Grade Hard-Coated Polycarbonate
Connection:	Tyco or Deutsch
Polarity:	Reverse Voltage Protected
Vibration Resistance:	10-500Hz @ 5Grms
Mounting:	U-Bracket (Powder Coated Steel)
EMC Rated:	EN ISO 13766-1:2018



Part #	Connector	Lumens	Operating Voltage
82296/B	Tyco	150	12 - 48Vdc
82296/C	Deutsch	150	12 - 48Vdc
Accessories			
81291HW	Hardware Kit U-Bracket		

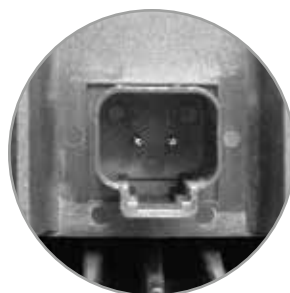
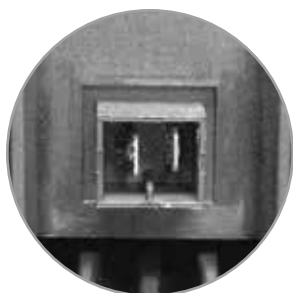
Connector Options

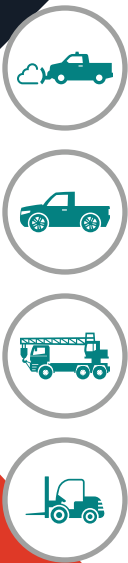
Tyco

Utilizes two quick-connect terminals protected with a rubber housing

Deutsch

An environmentally-sealed 2-pin connector





XWL-800 Flashing Amber Series

WARNING LIGHT | 10 LED



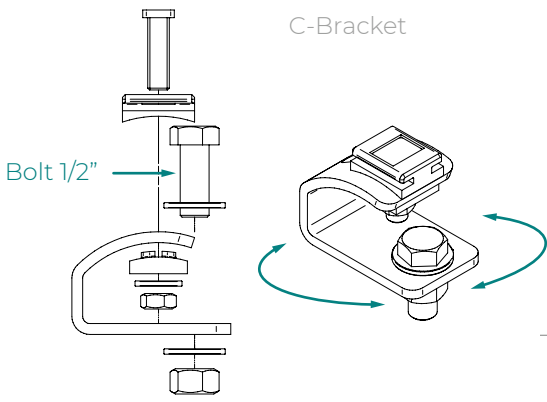
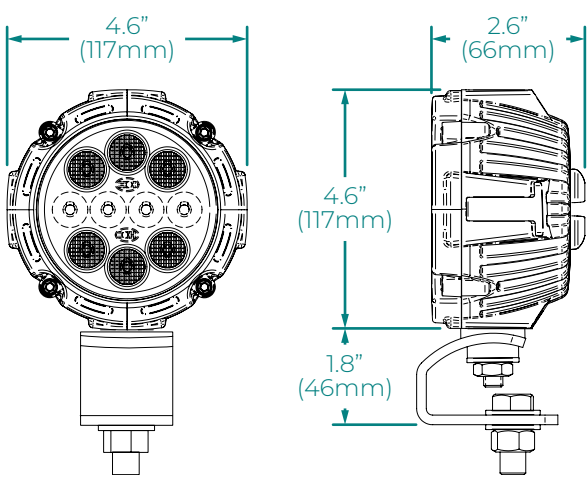
Features



- 2500 lumens
- Dual function light - work light and flashing amber warning:
 - 1) Wired to two switches
 - 2) One switch controls the steady white work light function
 - 3) One switch controls the flashing amber function (the amber light does not function at steady, only flashing)
 - 4) They can operate separately or together

Specifications

Operating Voltage:	12 - 24Vdc
Operating Current:	Work: 1.8A @ 12Vdc 0.9A @ 24Vdc Amber: 1.8A @ 12Vdc 0.9A @ 24Vdc Both: 1.8A @ 12Vdc 0.9A @ 24Vdc
Power Consumption:	Work: 22W Amber: 10W Both: 32W
Temperature Range:	-40°C to +50°C
Ingress Protection:	IP68 & IP69K
Weight:	2.2lbs (1.0kg)
Housing:	Die Cast Aluminum Alloy A380 Black E-Coat
Lens:	Automotive Optical Grade Hard-Coated Polycarbonate
Connection:	6" Wire Leads
Polarity:	Reverse Voltage Protected
Vibration Resistance:	10-500Hz @ 5Grms
Mounting:	C-Bracket (Powder Coated Steel)
EMC Rated:	EN ISO 13766-1:2018



Part #	Beam Pattern	Lumens	Operating Voltage
81561	Spot	2500	12 - 24Vdc
81562	Wide Flood	2500	12 - 24Vdc
81563	Medium Flood	2500	12 - 24Vdc
81564	Hybrid	2500	12 - 24Vdc

Accessories

- HW02A Hardware Kit | C-Bracket
- 98195 Easy Grip Handle | Black (see page 43)



Lumalarm

LED BACK UP ALARM

87dB | 97dB | 107dB



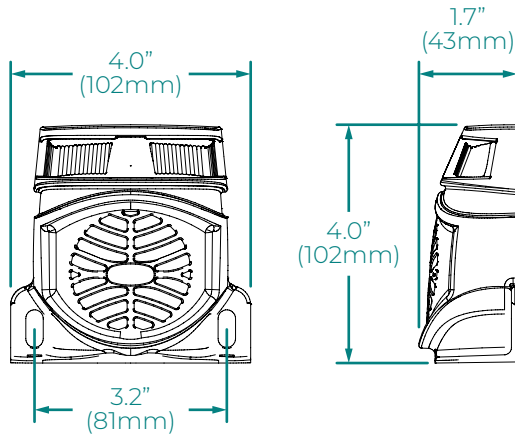
Features



- Multi-function - audible back up alarm with flashing amber LED warning lights
- Night silent - alarm can be disengaged when in sound sensitive areas

Specifications

Lumens:	200
Operating Voltage:	12 - 24Vdc
Operating Current:	500mA @ 12Vdc 250mA @ 24Vdc
Power Consumption:	6W
Pulse Rate:	1.2Hz ± 0.4Hz
Predominant Frequency:	1500Hz ± 300Hz
Temperature Range:	-40°C to +50°C
Ingress Protection:	IP69K
Weight:	7.0oz (200g)
Housing:	Black ABS
Lens:	Optical Grade Clear PMMA
Connection:	6" Wire Leads (see table)
Polarity:	Reverse Voltage Protected
Mounting:	Horizontal or Vertical
Compliance:	SAE / DOT



Part #	dB Rating @ 4'	Operating Voltage
52050	87dB	12 - 24Vdc
52051	97dB	12 - 24Vdc
52052	107dB	12 - 24Vdc

Modes	Functions	Red	Orange	Green	Grey	Black	Alarm	LEDs
Normal Alarm	In Reverse	+				-	✓	✓
Night Silent	Park Light ON	+	+			-		✓
Override Night Silent	Fog Light ON w/ Park Light	+	+	+		-	✓	✓
Alarm Only	Flashing Not Needed	+			+	-	✓	
Flashing Amber Only	Dashboard Switch ON	+		+		-		✓

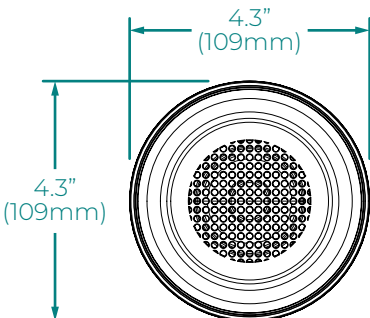
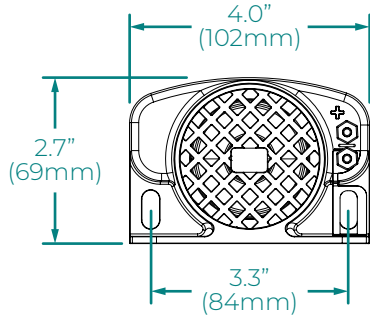
- ⊕ 12Vdc
- ⊖ Ground



WARNING & SAFETY | BACK UP ALARMS



WARNING & SAFETY | BACK UP ALARMS



Mating Connector (included)

Back Up Alarm

97dB



Specifications

- Operating Voltage: 12 - 24Vdc
- Pulse Rate: 1.2Hz ± 0.4Hz
- Predominant Frequency: 1500Hz ± 300Hz
- Temperature Range: -40°C to +50°C
- Ingress Protection: IP69K
- Weight: 8.0oz (226g)
- Housing: Glass Filled Nylon
- Connection: Positive to Top Stud
Ground to Bottom Stud
- Polarity: Reverse Voltage Protected
- Mounting: Horizontal or Vertical
- Compliance: SAE / DOT

Part #	dB Rating @ 4'	Operating Voltage
51008	97dB	12 - 24Vdc

Back Up Alarm

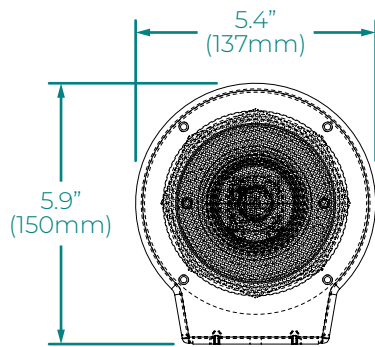
97dB



Specifications

- Operating Voltage: 12 - 24Vdc
- Pulse Rate: 1.2Hz ± 0.4Hz
- Predominant Frequency: 1500Hz ± 300Hz
- Temperature Range: -40°C to +50°C
- Ingress Protection: IP69K
- Weight: 12.2oz (345g)
- Housing: Glass Filled Nylon
- Connection: Red Wire to Positive
Black Wire to Ground
- Polarity: Reverse Voltage Protected
- Mounting: Horizontal or Vertical
- Compliance: SAE / DOT

Part #	dB Rating @ 4'	Operating Voltage
51030	97dB	12 - 24Vdc



Back Up Alarm

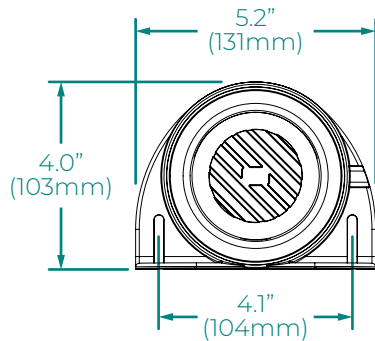
107dB

Specifications

Operating Voltage:	12 - 24Vdc
Pulse Rate:	1.2Hz ± 0.4Hz
Predominant Frequency:	1500Hz ± 300Hz
Temperature Range:	-40°C to +50°C
Ingress Protection:	IP69K
Weight:	27.4oz (776g)
Housing:	Powder Coated Steel
Connection:	Red Wire to Positive Black Wire to Ground
Polarity:	Reverse Voltage Protected
Mounting:	Horizontal or Vertical
Compliance:	SAE / DOT



Part #	dB Rating @ 4'	Operating Voltage
51045	107dB	12 - 24Vdc



Back Up Alarm

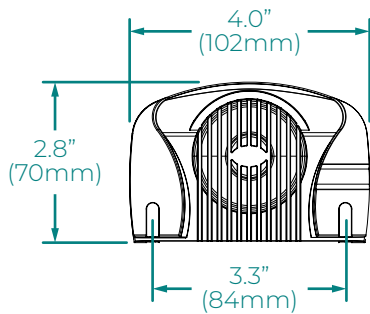
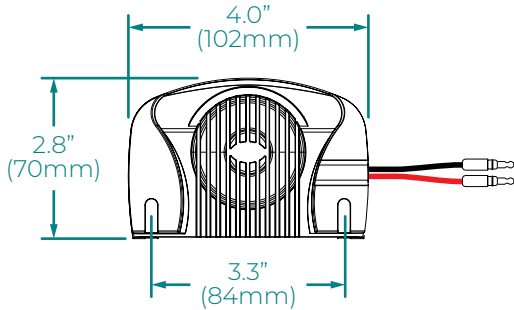
112dB

Specifications

Operating Voltage:	12 - 24Vdc
Pulse Rate:	1.2Hz ± 0.4Hz
Predominant Frequency:	1500Hz ± 300Hz
Temperature Range:	-40°C to +50°C
Ingress Protection:	IP69K
Weight:	16.1oz (456g)
Housing:	Glass Filled Nylon
Connection:	Red Wire to Positive Black Wire to Ground
Polarity:	Reverse Voltage Protected
Mounting:	Horizontal or Vertical
Compliance:	SAE / DOT



Part #	dB Rating @ 4'	Operating Voltage
51020	112dB	12 - 24Vdc



Back Up Alarm

97dB



Specifications

- Operating Voltage: 12 - 24Vdc
- Pulse Rate: 1.2Hz ± 0.4Hz
- Predominant Frequency: 1500Hz ± 300Hz
- Temperature Range: -40°C to +50°C
- Ingress Protection: IP69K
- Weight: 8.0oz (226g)
- Housing: Glass Filled Nylon
- Connection: Bulleted Wires
- Red Wire to Positive
- Black Wire to Ground
- Polarity: Reverse Voltage Protected
- Mounting: Horizontal or Vertical
- Compliance: SAE / DOT

Part #	dB Rating @ 4'	Operating Voltage
51006	97dB	12 - 24Vdc

Back Up Alarm

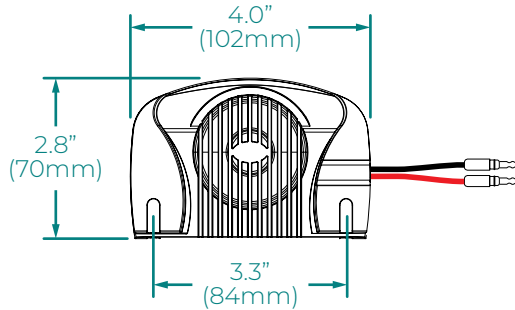
87dB | 97dB | 107dB



Specifications

- Operating Voltage: 12 - 24Vdc
- Pulse Rate: 1.2Hz ± 0.4Hz
- Predominant Frequency: 1500Hz ± 300Hz
- Temperature Range: -40°C to +50°C
- Ingress Protection: IP69K
- Weight: 8.0oz (226g)
- Housing: Glass Filled Nylon
- Connection: Bulleted Wires
- Red Wire to Positive
- Black Wire to Ground
- Polarity: Reverse Voltage Protected
- Mounting: Horizontal or Vertical
- Compliance: SAE / DOT

Part #	dB Rating @ 4'	Operating Voltage
51010	87dB	12 - 24Vdc
51011	97dB	12 - 24Vdc
51012	107dB	12 - 24Vdc



Back Up Alarm

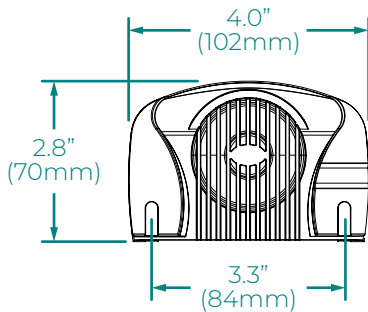
97dB | 24 - 48Vdc

Specifications

Operating Voltage:	24 - 48Vdc
Pulse Rate:	1.2Hz ± 0.4Hz
Predominant Frequency:	1500Hz ± 300Hz
Temperature Range:	-40°C to +50°C
Ingress Protection:	IP69K
Weight:	8.0oz (226g)
Housing:	Glass Filled Nylon
Connection:	Bulleted Wires Red Wire to Positive Black Wire to Ground
Polarity:	Reverse Voltage Protected
Mounting:	Horizontal or Vertical
Compliance:	SAE / DOT



Part #	dB Rating @ 4'	Operating Voltage
51015	97dB	24 - 48Vdc



Back Up Alarm

97dB or 107dB | 12 - 36Vdc

Specifications

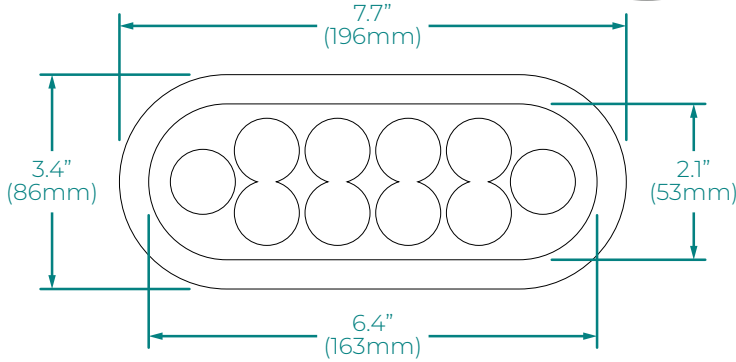
Operating Voltage:	12 - 36Vdc
Pulse Rate:	1.2Hz ± 0.4Hz
Predominant Frequency:	1500Hz ± 300Hz
Temperature Range:	-40°C to +50°C
Ingress Protection:	IP69K
Weight:	8.0oz (226g)
Housing:	Glass Filled Nylon
Connection:	97dB: Red Wire to Positive Black Wire to Ground 107dB: Black Wire to Positive Red Wire to Ground
Polarity:	Reverse Voltage Protected
Mounting:	Horizontal or Vertical
Compliance:	SAE / DOT



Part #	dB Rating @ 4'	Operating Voltage
51050	97dB or 107dB	12 - 36Vdc

Contents

Tail Lights	69 - 70
License Plate Lights	70
Marker Lights	71
Third Brake Lights	72



LED Tail / Stop Light

RED | 10 LED



Specifications



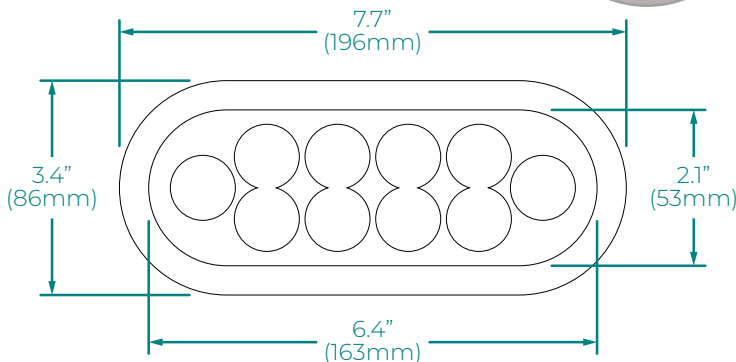
Operating Voltage:	12Vdc
Operating Current:	0.3A @ 12Vdc
Power Consumption:	3W
Temperature Range:	-40°C to +50°C
Ingress Protection:	IP68
Weight:	9.2oz (262g)
Housing:	Polycarbonate (Grey)
Lens:	Polycarbonate (Clear)
Grommet:	PVC (Black)
Connection:	3 Pin Mating Connector w/ 12" Wire Leads (included)
Compliance:	SAE / DOT

Part #	Description	Operating Voltage
84045	LED Tail / Stop Light Red	12Vdc



LED Tail / Turn Light

AMBER | 10 LED

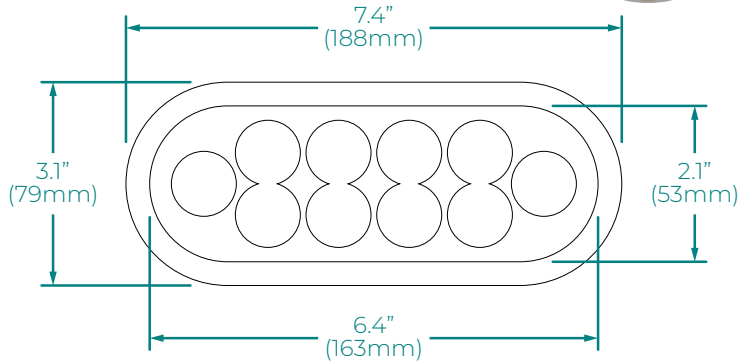


Specifications



Operating Voltage:	12Vdc
Operating Current:	0.3A @ 12Vdc
Power Consumption:	3W
Temperature Range:	-40°C to +50°C
Ingress Protection:	IP68
Weight:	9.2oz (262g)
Housing:	Polycarbonate (Grey)
Lens:	Polycarbonate (Clear)
Grommet:	PVC (Black)
Connection:	3 Pin Mating Connector w/ 12" Wire Leads (included)
Compliance:	SAE / DOT

Part #	Description	Operating Voltage
84046	LED Tail / Turn Light Amber	12Vdc



LED Tail / Reverse Light

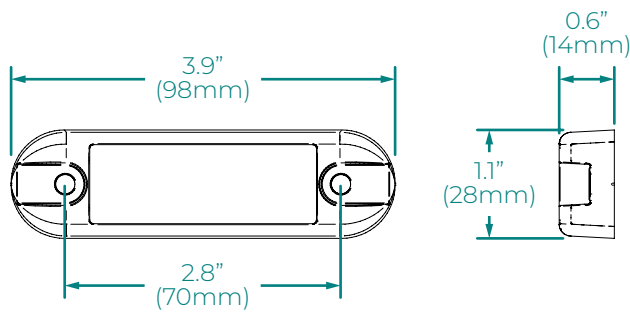
WHITE | 10 LED

Specifications



Operating Voltage:	12Vdc
Operating Current:	0.3A @ 12Vdc
Power Consumption:	3W
Temperature Range:	-40°C to +50°C
Ingress Protection:	IP68
Weight:	9.2oz (262g)
Housing:	Polycarbonate (Clear)
Lens:	Polycarbonate (Clear)
Grommet:	PVC (Black)
Connection:	2 Pin Mating Connector w/ 12" Wire Leads (included)
Compliance:	SAE / DOT

Part #	Description	Operating Voltage
84049	LED Tail / Reverse Light White	12Vdc



LED License Plate Light

3 LED

Specifications



Operating Voltage:	12Vdc
Operating Current:	100mA @ 12Vdc
Power Consumption:	1.2W
Temperature Range:	-40°C to +50°C
Ingress Protection:	IP68
Weight:	1.3oz (36g)
Bezel:	ABS
Lens:	Polycarbonate
Connection:	Male Spade Connectors
Compliance:	SAE / DOT ECE

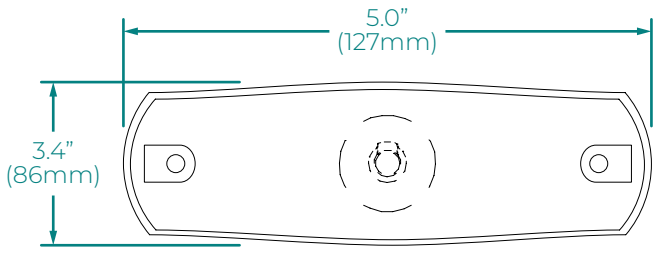
Part #	Description	Operating Voltage
82132	LED License Plate Light Black Bezel	12Vdc



Black Bezel Included

Can be installed with or without bezel





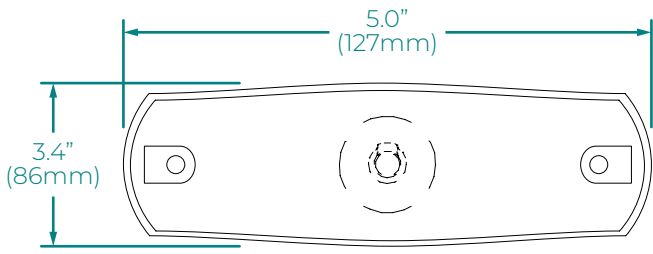
LED Marker Light AMBER | 1 LED

Specifications

Operating Voltage: 12Vdc
 Operating Current: 80MA @ 12Vdc
 Power Consumption: 1W
 Temperature Range: -40°C to +50°C
 Ingress Protection: IP68
 Weight: 1.2oz (35g)
 Lens: Acrylic
 Connection: 6" Wire Leads
 Mounting: Two Screws (included)
 Compliance: SAE / DOT



Part #	Description	Operating Voltage
99062	LED Marker Light Amber	12Vdc
99062-0	Replacement Lens Amber	



LED Marker Light RED | 1 LED

Specifications

Operating Voltage: 12Vdc
 Operating Current: 80MA @ 12Vdc
 Power Consumption: 1W
 Temperature Range: -40°C to +50°C
 Ingress Protection: IP68
 Weight: 1.2oz (35g)
 Lens: Acrylic
 Connection: 6" Wire Leads
 Mounting: Two Screws (included)
 Compliance: SAE / DOT



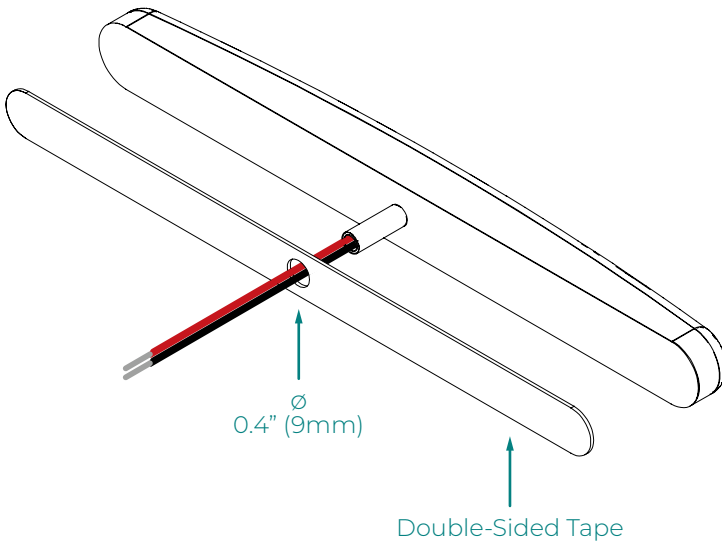
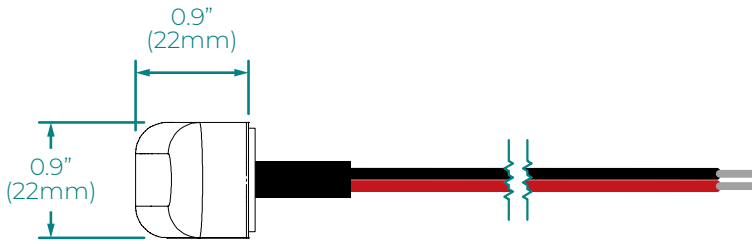
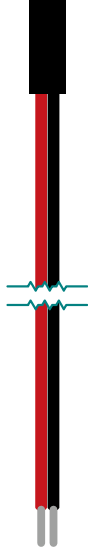
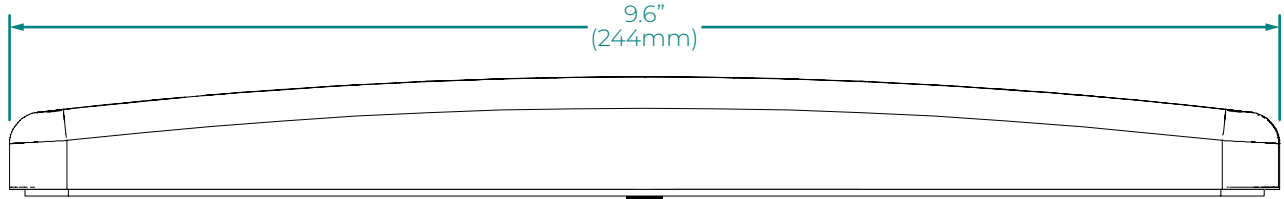
Part #	Description	Operating Voltage
99063	LED Marker Light Red	12Vdc
99063-0	Replacement Lens Red	

LED Third Brake Light

CHMSL | 9 LED



REAR LIGHTING | THIRD BRAKE LIGHTS



Specifications

- Operating Voltage: 12Vdc
- Operating Current: 150mA @ 12Vdc
- Power Consumption: 2W
- Temperature Range: -40°C to +50°C
- Ingress Protection: IP68
- Weight: 2.5oz (70g)
- Housing: Polycarbonate
- Lens: Automotive Grade Polycarbonate
- Connection: 60" Wire Leads
- Mounting: Double-Sided Tape
- Drill Hole Size: 19/64" (8mm)
- Compliance: SAE / DOT | ECE

Part #	Description	Operating Voltage
84005-1	LED Third Brake Light Red	12Vdc

ACCESSORY LIGHTING



Contents

E Strip Lights	74 - 77
Flex-Strip Lights	78
Utility Lights	79 - 83

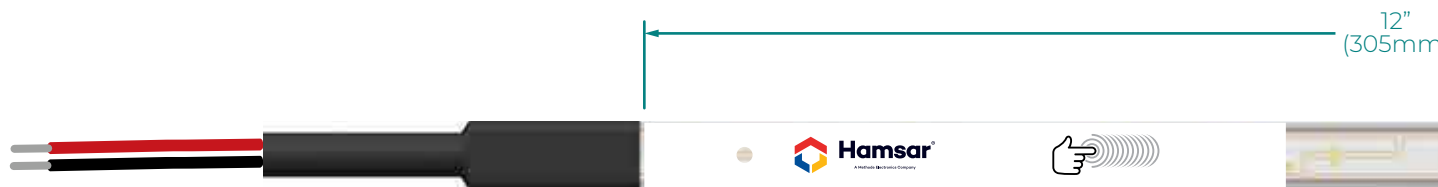
**TOUCH
ACTIVATED**



Features



- Touch switch activation - simply touch the sensor pad for ON and OFF functions
- Auto shutoff function - automatically shuts off after 5 minutes
- Available in 12", 24", 36" & 48" lengths
- Printed circuit board is protected with polycarbonate extrusion - extremely resistant to moisture, dust and impact
- 3M adhesive mount - easy peel & stick installation



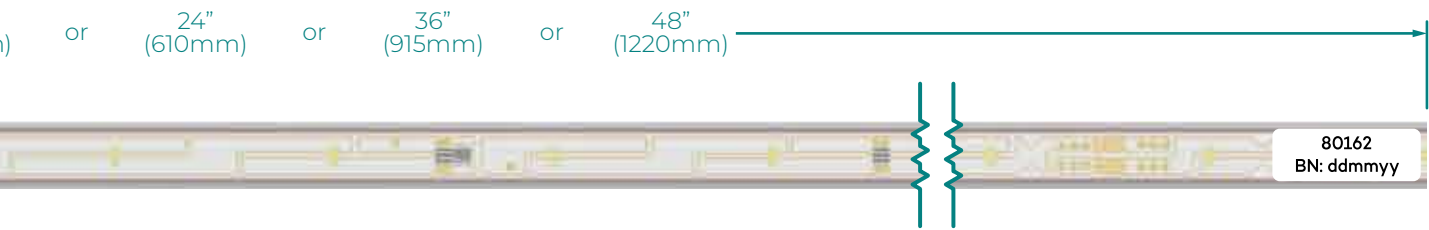
Specifications (per 12" section)

Operating Voltage:	12Vdc	Connection:	2.5" Wire Leads
Operating Current:	150mA @ 12Vdc	Polarity:	Reverse Voltage Protected
Power Consumption:	2W	LEDs:	9 per 12" Section
Temperature Range:	-40°C to +65°C	Adhesive Mount:	3M Double-Sided VHB Tape
Ingress Protection:	IP68	Operation:	Touch ON / OFF
Weight:	0.6oz (16g)	Auto Shutoff:	5 Minutes ± 15 Seconds
Extrusion:	Polycarbonate		

Part #	Mount Type	Ingress Protection	LED Colour	PCB Colour	Length
80162	Adhesive	IP68	White	White	12"
80163	Adhesive	IP68	White	White	24"
80164	Adhesive	IP68	White	White	36"
80165	Adhesive	IP68	White	White	48"

Touch Switch E Strip Light

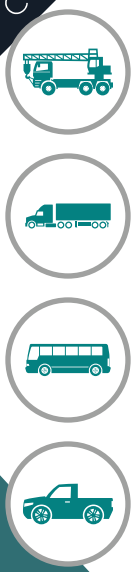
ACCESSORY LIGHT



Need a Custom Solution?

Our in-house design and manufacturing team can custom tailor a flex-strip lighting solution to meet your needs. Our flex-strip lights can be customized for length requirements, mounting methods, connector needs... and more!

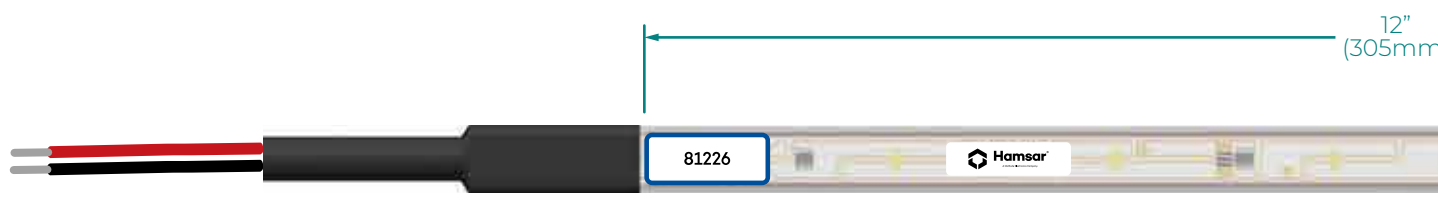




Features



- Available in 12", 24", 36" & 48" lengths
- Printed circuit board is protected with polycarbonate extrusion - extremely resistant to moisture, dust and impact
- 3M adhesive mount - easy peel & stick installation
- 2.5" wire leads - 12Vdc connection to switch

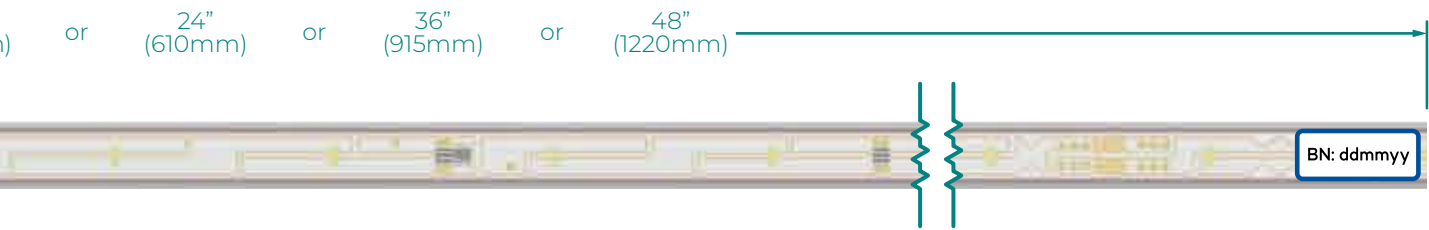


Specifications (per 12" section)

Operating Voltage:	12Vdc	Extrusion:	Polycarbonate
Operating Current:	150mA @ 12Vdc	Connection:	2.5" Wire Leads
Power Consumption:	2W	Polarity:	Reverse Voltage Protected
Temperature Range:	-40°C to +65°C	LEDs:	9 per 12" Section
Ingress Protection:	IP68	Adhesive Mount:	3M Double-Sided VHB Tape
Weight:	0.6oz (16g)	Operation:	12Vdc Connection to Switch

Part #	Mount Type	Ingress Protection	LED Colour	PCB Colour	Length
81226	Adhesive	IP68	White	White	12"
81227	Adhesive	IP68	White	White	24"
81228	Adhesive	IP68	White	White	36"
81229	Adhesive	IP68	White	White	48"

LED E Strip Light ACCESSORY LIGHT



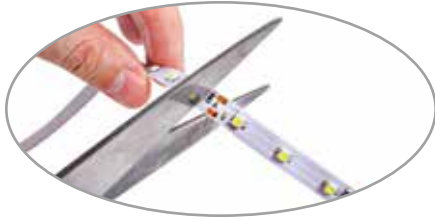
Ideal for Compartment Lighting

Connect to a manually operated switch or a detection switch that activates automatically with door opening





Cut to Any Length Required



LED Flex-Strip Light ACCESSORY LIGHT

Specifications (per 5m reel)

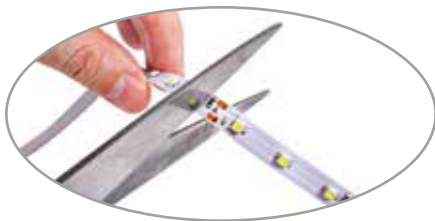


Lumens:	420 per Metre
Operating Voltage:	12Vdc
Operating Current:	2.0A @ 12Vdc
Power Consumption:	24W
Temperature Range:	-25°C to +50°C
Ingress Protection:	IP65
Weight:	6.2oz (177g)
Connection:	Wire Leads
LEDs:	60 per Metre
Adhesive Mount:	3M Double-Sided VHB Tape

Part #	Mount Type	Ingress Protection	LED Colour	PCB Colour	Length
81214	Adhesive	IP65	White	White	5m Reel
81216	Adhesive	IP65	White	Black	5m Reel



Cut to Any Length Required



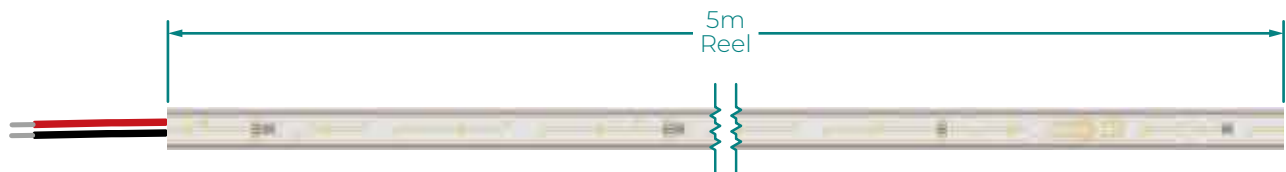
High Output LED Flex-Strip Light ACCESSORY LIGHT

Specifications (per 5m reel)



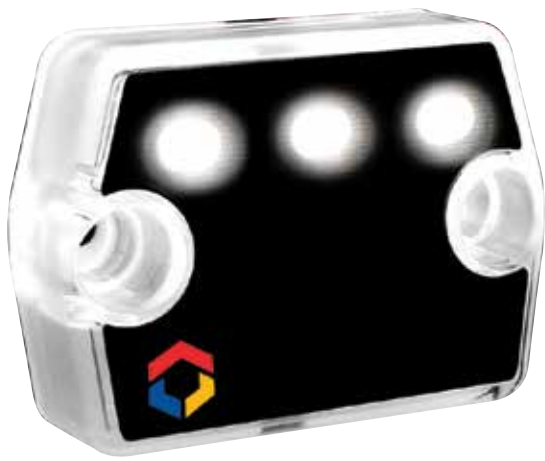
Lumens:	1200 per Metre
Operating Voltage:	12Vdc
Operating Current:	2.0A @ 12Vdc
Power Consumption:	24W
Temperature Range:	-25°C to +50°C
Ingress Protection:	IP65
Weight:	6.2oz (177g)
Connection:	Wire Leads
LEDs:	60 per Metre
Adhesive Mount:	3M Double-Sided VHB Tape

Part #	Mount Type	Ingress Protection	LED Colour	PCB Colour	Length
81221	Adhesive	IP65	White	White	5m Reel



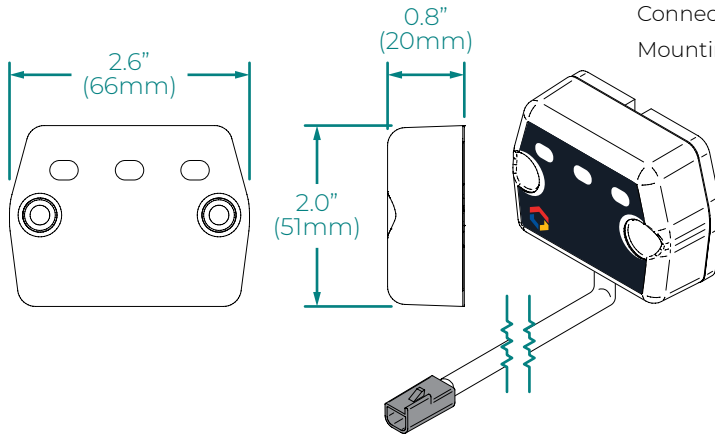


LED Auxiliary Light FRONT FACING



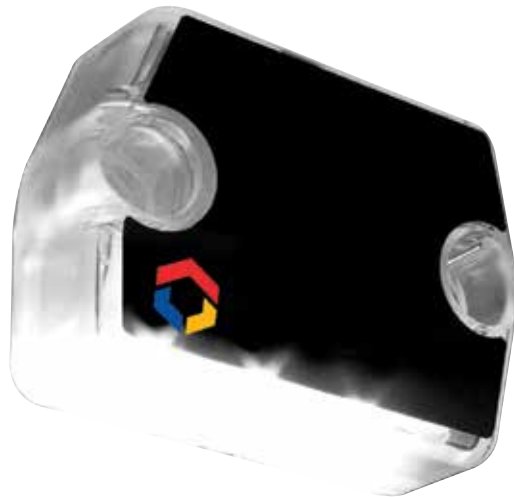
Specifications

- Operating Voltage: 12Vdc
- Operating Current: 0.2A @ 12Vdc
- Power Consumption: 2.5W
- Temperature Range: -40°C to +50°C
- Ingress Protection: IP69K
- Weight: 1.9oz (55g)
- Housing: Clear Polycarbonate
- Connection: Delphi 2-Way
- Mounting: 3M Double-Sided VHB Tape



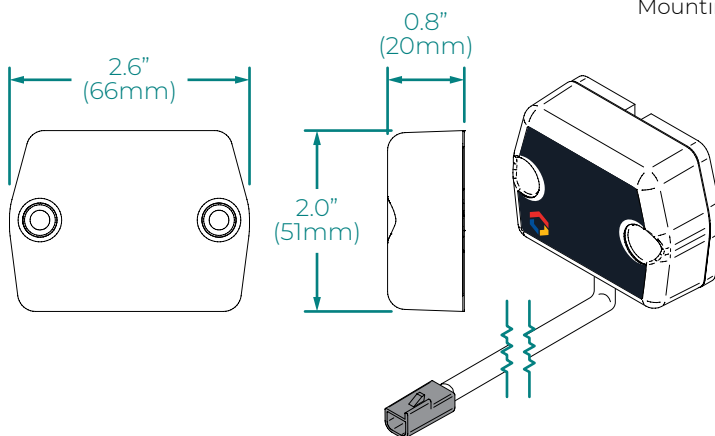
Part #	Description	Operating Voltage
80160	LED Auxiliary Light Front Facing LEDs	12Vdc

LED Auxiliary Light DOWN FACING

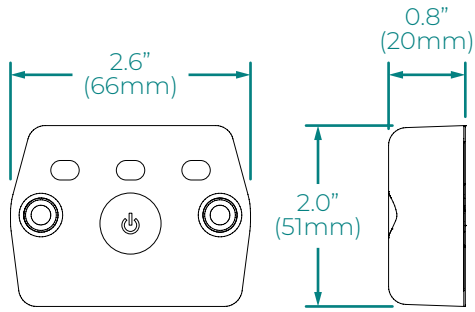
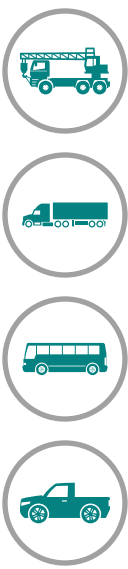


Specifications

- Operating Voltage: 12Vdc
- Operating Current: 0.2A @ 12Vdc
- Power Consumption: 2.5W
- Temperature Range: -40°C to +50°C
- Ingress Protection: IP69K
- Weight: 1.9oz (55g)
- Housing: Clear Polycarbonate
- Connection: Delphi 2-Way
- Mounting: 3M Double-Sided VHB Tape



Part #	Description	Operating Voltage
80161	LED Auxiliary Light Down Facing LEDs	12Vdc



LED Touch Light FRONT FACING

Specifications



Activation:	Touch ON Touch OFF
Temperature Range:	-40°C to +50°C
Ingress Protection:	IP69K
Weight:	1.9oz (55g)
Housing:	Clear Polycarbonate
Battery:	Non-Replaceable 3.6Vdc Lithium-Ion
Battery Life:	700+ ON / OFF Cycles of 5 Minutes
Mounting:	Velcro (included)

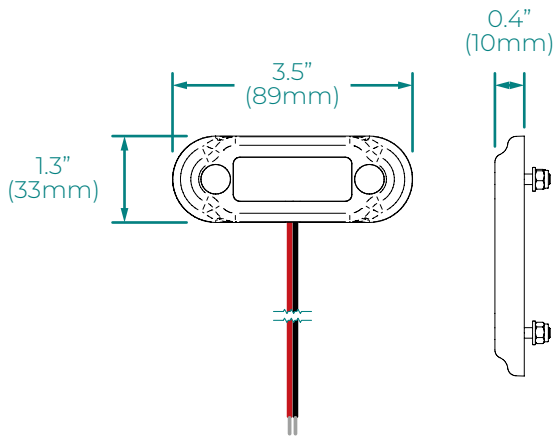
Part # Description

80155	LED Touch Light Battery Operated Front Facing LEDs
-------	--



Battery Operation

Non-replaceable 3.6Vdc lithium-ion



LED Utility Light

Specifications

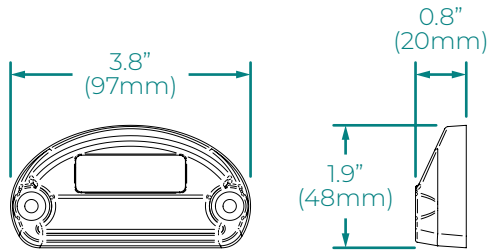


Operating Voltage:	12Vdc
Operating Current:	0.1A @ 12Vdc
Power Consumption:	1.2W
Temperature Range:	-40°C to +50°C
Ingress Protection:	IP68
Weight:	1.4oz (40g)
Housing:	ABS
Lens:	Polycarbonate
Connection:	Wire Leads
Mounting:	Two Bolts w/ Nuts (included)

Part #	Description	Operating Voltage
81117	LED Utility Light Bezel	12Vdc
81117/HO	LED Utility Light Bezel High Output	12Vdc



LED Utility Light



Specifications

Operating Voltage: 12Vdc
 Operating Current: 0.1A @ 12Vdc
 Power Consumption: 1.2W
 Temperature Range: -40°C to +50°C
 Ingress Protection: IP68
 Weight: 1.4oz (40g)
 Housing: ABS
 Lens: Polycarbonate
 Connection: Wire Leads
 Mounting: Two Screws



Part #	Description	Operating Voltage
81196	LED Utility Light	12Vdc

LED Utility Light



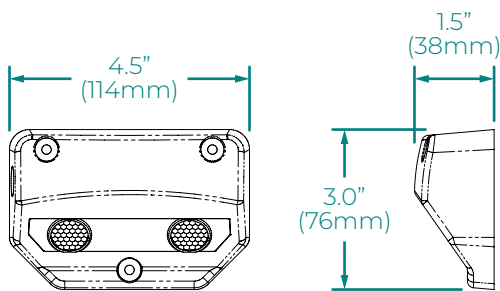
Specifications

Operating Voltage: 12Vdc
 Operating Current: 27mA @ 12Vdc
 Power Consumption: 0.3W
 Temperature Range: -40°C to +50°C
 Ingress Protection: IP68
 Weight: 0.8oz (23g)
 Lens: Polycarbonate
 Connection: Wire Leads
 Mounting: 3M Double-Sided VHB Tape



Part #	Description	Operating Voltage
81103	LED Utility Light	12Vdc

LED Utility Light

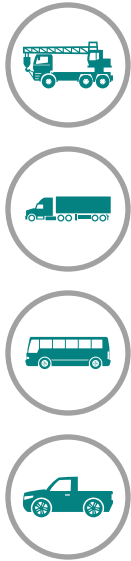


Specifications

Operating Voltage: 12 - 24Vdc
 Operating Current: 0.2A @ 12Vdc | 0.1A @ 24Vdc
 Power Consumption: 2.4W
 Temperature Range: -40°C to +50°C
 Ingress Protection: IP68
 Weight: 4.2oz (119g)
 Housing: Polymer
 Lens: Polycarbonate
 Connection: Wire Leads
 Mounting: Three Screws

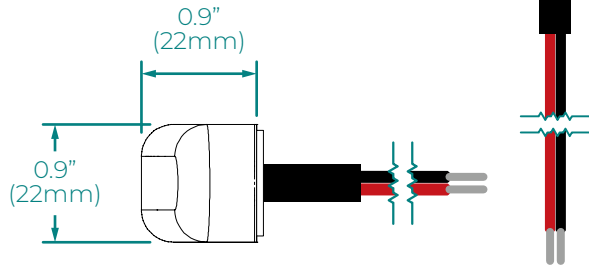
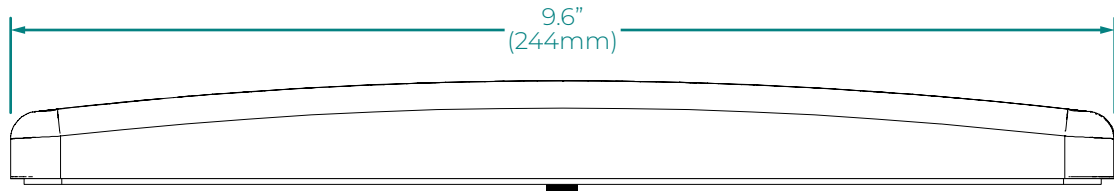


Part #	Description	Operating Voltage
81145	LED Utility Light	12 - 24Vdc



LED Utility Light

ADHESIVE MOUNT | 18 LED



Specifications

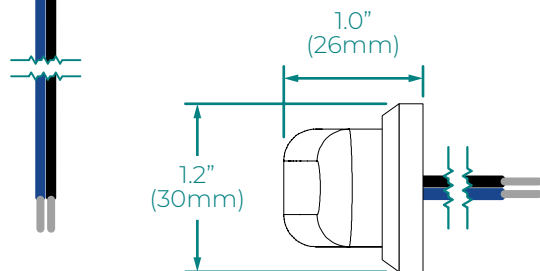
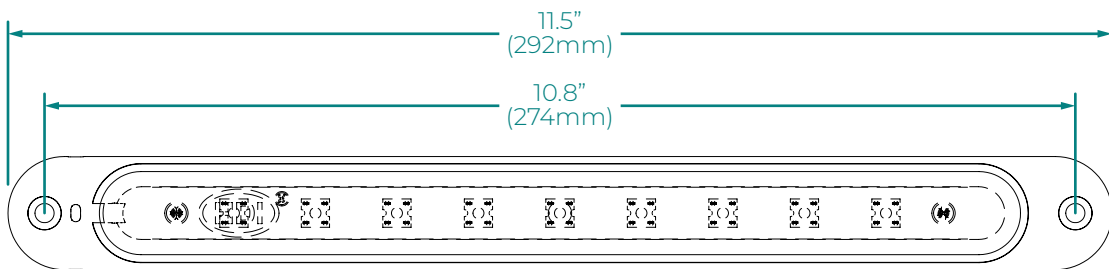
- Operating Voltage: 12Vdc
- Operating Current: 150mA @ 12Vdc
- Power Consumption: 2W
- Temperature Range: -40°C to +50°C
- Ingress Protection: IP68
- Weight: 2.5oz (70g)
- Housing: Polycarbonate
- Lens: Automotive Grade Polycarbonate
- Connection: 60" Wire Leads
- Mounting: Double-Sided Tape
- Drill Hole Size: 19/64" (8mm)



Part #	Description	Operating Voltage
81109	LED Utility Light	12Vdc

LED Utility Light

MECHANICAL MOUNT | 18 LED



Specifications

- Operating Voltage: 12Vdc
- Operating Current: 150mA @ 12Vdc
- Power Consumption: 2W
- Temperature Range: -40°C to +50°C
- Ingress Protection: IP68
- Weight: 3.4oz (97g)
- Housing: Polycarbonate
- Lens: Automotive Grade Polycarbonate
- Connection: 9" Wire Leads
- Mounting: Two Screws
- Drill Hole Size: 1/4" (6mm)



Part #	Description	Operating Voltage
81114	LED Utility Light	12Vdc



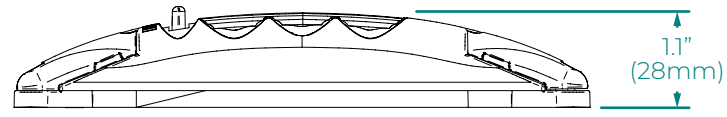
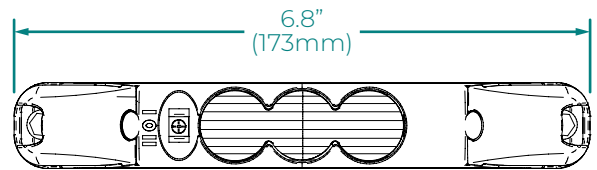
LED Dome Light

3 LED



Specifications

- Operating Voltage: 12Vdc
- Operating Current: 0.2A @ 12Vdc
- Power Consumption: 2.5W
- Temperature Range: -40°C to +50°C
- Ingress Protection: IP69K
- Weight: 2.0oz (57g)
- Housing: Polymer
- Lens: PMMA
- Connection: Delphi 2-Way
- Mounting: Two Screws



Part #	Description	Operating Voltage
80115	LED Dome Light	12Vdc

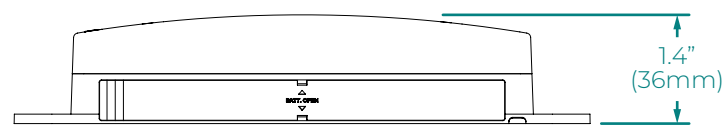
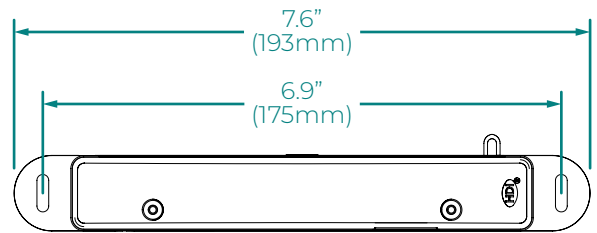
LED Dome Light

3 LED



Specifications

- Battery: 3 x AAA (not included)
- Activation: ON | OFF Rocker Switch
- Temperature Range: -40°C to +50°C
- Ingress Protection: IP68
- Weight: 3.1oz (87g)
- Housing: ABS
- Lens: Polycarbonate
- Mounting: Two Screws (not included)



Part #	Description
80110/3	LED Dome Light No Wire Battery

Contents

Wireless Bell Push	85
Seatback Bell Push	85

Wireless Bell Push



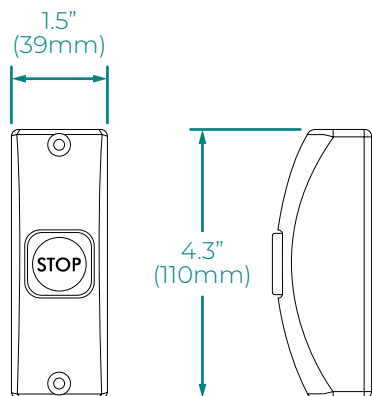
Features



- No wires, no batteries - uses radio transmission to communicate between passenger bell push and vehicle mounted receiver module



Global Ready Frequency



Part #	Description	Button
Stanchion Mount		
30001	Wireless Bell Push Grey Housing Red Button	STOP
30002	Wireless Bell Push Yellow Housing Red Button	STOP
30003	Wireless Bell Push Yellow Housing Blue Button	ACCESSIBILITY
30009	Wireless Bell Push Grey Housing Blue Button	ACCESSIBILITY
Seatback Mount		
30005	Seatback Wireless Bell Push Panel Mount Assembly	
30006	Red Button	STOP
30007	Blue Button	ACCESSIBILITY
30008	Aqua Button	STOP
Receiver Modules		
30000	Receiver Module 2.4GHz 30 Channel	
30004	Receiver Module 2.4GHz 100 Channel	



Contents

LED Bulbs	87	-	88
Halogen Bulbs	89	-	90

LED Mini Bulb



1156 Base



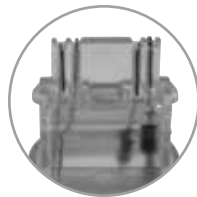
1157 Base

Part #	Description	Colour
84175	1156 Base	White
84175R	1156 Base	Red
84176	1157 Base	White
84176A	1157 Base	Amber
84176R	1157 Base	Red

LED Mini Bulb



3156 Base



3157 Base

Part #	Description	Colour
84177	3156 Base	White
84177A	3156 Base	Amber
84178	3157 Base	White

LED Mini Bulb



194 Base

Part #	Description	Colour
84184	194 Base	White
84184A	194 Base	Amber
84184R	194 Base	Red





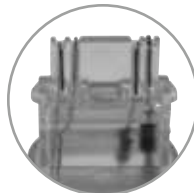
1156 Base



1157 Base



3156 Base



3157 Base



194 Base

LED Mini Bulb

Part #	Description	Colour
84180	1156 Base	White
84180A	1156 Base	Amber
84180R	1156 Base	Red
84181	1157 Base	White
84181A	1157 Base	Amber

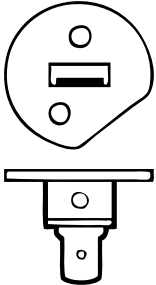
LED Mini Bulb

Part #	Description	Colour
84182	3156 Base	White
84183	3157 Base	White

LED Mini Bulb

Part #	Description	Colour
84185	921 Base	White
84185A	921 Base	Amber
84185R	921 Base	Red

Halogen Bulb | H1

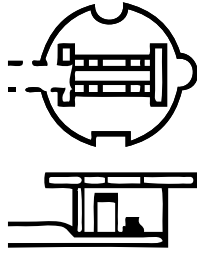


P14.5s Base

Part #	Description	Compliance
85045	H1 P14.5s Base 12V 55W	SAE / DOT



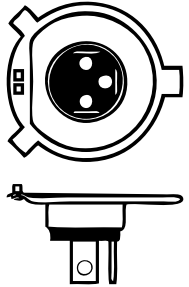
Halogen Bulb | H3



PK22s Base

Part #	Description	Compliance
85065	H3 PK22s Base 12V 35W	SAE / DOT
85066	H3 PK22s Base 12V 55W	SAE / DOT
85067	H3 PK22s Base 12V 100W	Off-Road Only
85068	H3 PK22s Base 24V 130W	Off-Road Only
85069	H3 PK22s Base 24V 65W	SAE / DOT
85070	H3 PK22s Base 24V 70W	SAE / DOT
85071	H3 PK22s Base 24V 100W	Off-Road Only

Halogen Bulb | H4

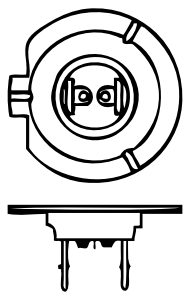


P43t Base

Part #	Description	Compliance
85085	H4 P45t Base 12V 45/40W	Off-Road Only
85086	H4 P43t Base 12V 60/55W	Off-Road Only
85089	H4 P43t Base 12V 100/55W	Off-Road Only
85090	H4 P43t Base 12V 100/80W	Off-Road Only
85091	H4 P45t Base 12V 100/80W	Off-Road Only
85094	H4 P43t Base 24V 75/70W	Off-Road Only
85095	H4 P43t Base 24V 75/70W HD	Off-Road Only

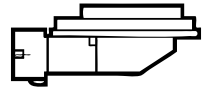
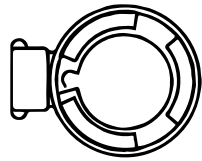


Halogen Bulb | H7



PX26d Base

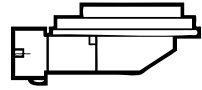
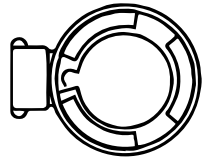
Part #	Description	Compliance
85100	H7 PX26d Base 24V 70W	SAE / DOT
85101	H7 PX26d Base 12V 55W	SAE / DOT



PGJ19-5 Base

Halogen Bulb | H9

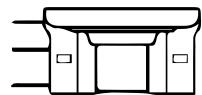
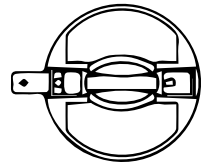
Part #	Description	Compliance
85115	H9 PGJ19-5 Base 12V 65W	SAE / DOT



PGJ19-2 Base

Halogen Bulb | H11

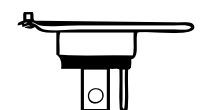
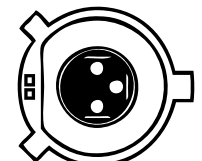
Part #	Description	Compliance
85116	H11 PGJ19-2 Base 12V 55W	SAE / DOT



PGJY19-2 Base

Halogen Bulb | H11B

Part #	Description	Compliance
85120	H11B PGJY19-2 Base 12V 55W	SAE / DOT



P43t Base

Halogen Bulb | HB2

Part #	Description	Compliance
85128	HB2 P43t Base 12V 60/55W	SAE / DOT

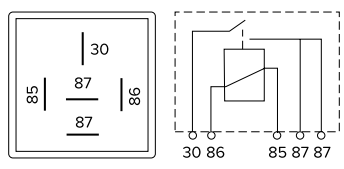
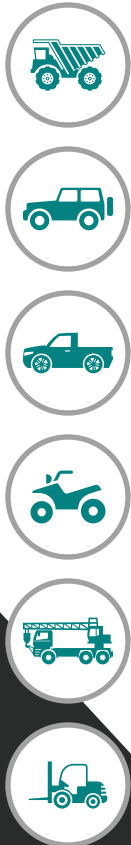
ELECTRONICS



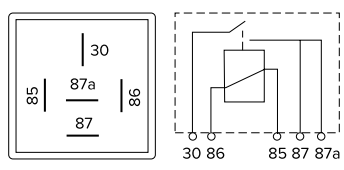
Hamsar[®]
A Methode Electronics Company

Contents

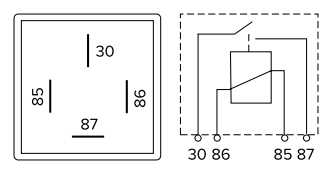
Relays	92 - 93
Accessories	94



Part #	Description
41020	SPST 12V 40A Dual Output with Tab



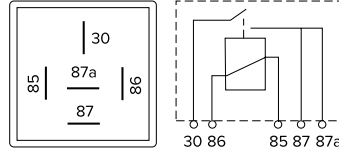
Part #	Description
41025	SPDT 12V 40A Bulk 10
41030	SPDT 12V 40A Dual Output with Tab



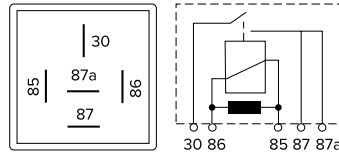
Part #	Description
41065	SPST 12V 70A Heavy Duty with Tab



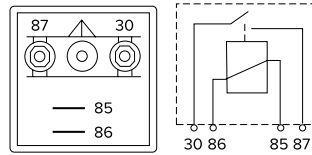
Electromechanical Relays



Part #	Description
42005	SPDT 24V 40A Bulk 10



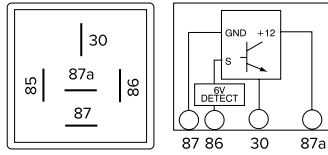
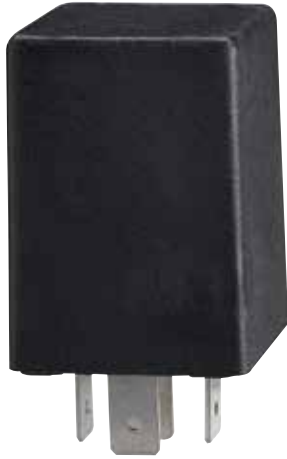
Part #	Description
41080	SPDT 12V 40A with Resistor



Part #	Description
41050	SPST 12V 80A Screw Terminals with Tab
42050	SPST 24V 60A Screw Terminals with Tab



Part #	Description
41201	Solenoid Relay Switch 12V 80A Heavy Duty with Grounding Lug



Part #	Description
41105	30 Second Light Timer w/ Relay 12V

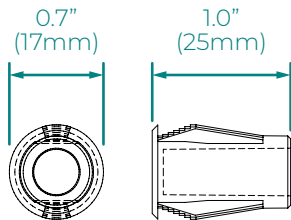


Magnet and Detection Switch Assembly



Features

- 500mA switch output
- N/C (normally closed) switch arrangement
- Installation requires 13mm drill hole
- Applications include automatic light on / off, alarm detection, sensor distance detection



Specifications

Maximum Rated Voltage:	16Vdc
Maximum Rated Current:	500mA
Distance to Achieve Open Circuit:	Less than 0.7" (19mm)
Distance to Achieve Closed Circuit:	More than 0.8" (21mm)
Magnet Gauss:	~5700 Gauss
Housing:	Black ABS
Connection:	12" Wire Leads

Part #	Description
41094	Magnet and Detection Switch Assembly

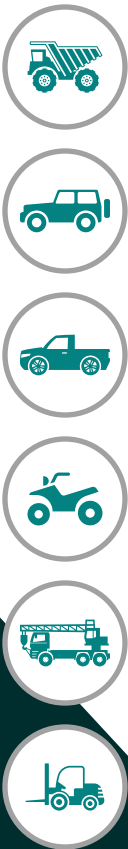
VEHICLE ACCESSORIES



Contents

Multisockets
Flashlights

96 - 100
101



12 - 24V Battery Tester

Specifications

Operating Voltage: 12 - 24Vdc
 Connection: 12 - 24Vdc Plug



Part #	Description
98224	12 - 24V Battery Tester



Socket Dust Cap

Part #	Description
98225	Socket Dust Cap



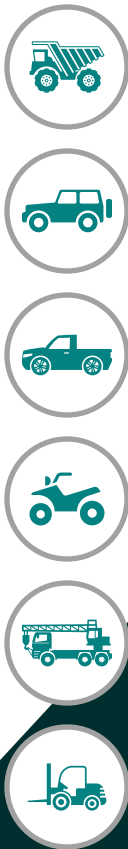
12V Single Power Socket

Specifications

Operating Voltage: 12Vdc



Part #	Description
98226	12V Single Power Socket



12V Twin Multisocket

Specifications

Operating Voltage: 12Vdc
 Connection: 36" Wire Leads
 Fuse: 15A In-Line Replaceable
 Mounting Hardware: 2 Screws (included)



Part #	Description
98228	12V Twin Multisocket Permanent Mount



12V Twin Multisocket BATTERY ANALYZER

Specifications

Operating Voltage: 12Vdc
 Connection: 12Vdc Plug
 w/ Coiled Cable



Part #	Description
98231	12V Twin Multisocket Battery Analyzer



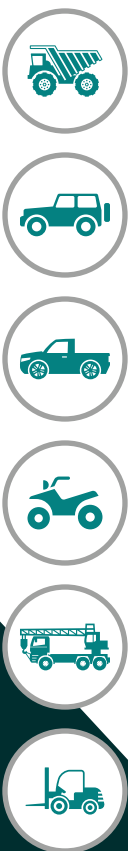
12V Triple Multisocket BATTERY ANALYZER

Specifications

Operating Voltage: 12Vdc
 Connection: 12Vdc Plug
 w/ Coiled Cable



Part #	Description
98232	12V Triple Multisocket Battery Analyzer



12V Quadruple Multisocket BATTERY ANALYZER

Specifications

Operating Voltage: 12Vdc
 Connection: 12Vdc Plug
 w/ Coiled Cable



Part #	Description
98233	12V Quadruple Multisocket Battery Analyzer



USB Charging Socket

Specifications

Operating Voltage: 12Vdc
 Connection: 12Vdc Plug
 USB Port: Type A



Part #	Description
98234	USB Charging Socket



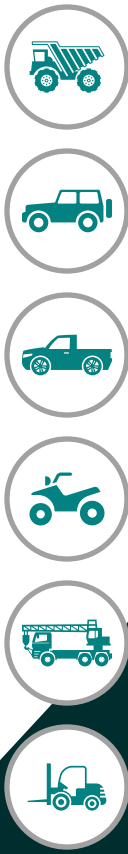
AA & AAA Battery Charger

Specifications

Operating Voltage: 12Vdc
 Connection: 12Vdc Plug



Part #	Description
98235	AA & AAA Battery Charger



12V Twin Multisocket | USB BATTERY ANALYZER

Specifications

Operating Voltage: 12Vdc
 Connection: 12Vdc Plug w/ Coiled Cable
 USB Port: Type A



Part #	Description
98236	12V Twin Multisocket USB Battery Analyzer



12V Triple Multisocket | Cup Shaped BATTERY ANALYZER

Specifications

Operating Voltage: 12Vdc
 Connection: 12Vdc Plug w/ Coiled Cable
 Mounting: Fits Cup Holders



Part #	Description
98237	12V Triple Multisocket Cup Shaped Battery Analyzer



12V Single Power Socket OVERMOLD CAP

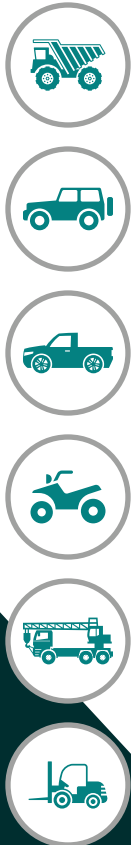
Specifications

Operating Voltage: 12Vdc
 Connection: Bulleted Wires
 Mounting: Screw Down Collar



Part #	Description
98241	12V Single Power Socket Overmold Cap

12V Triple Multisocket



Features

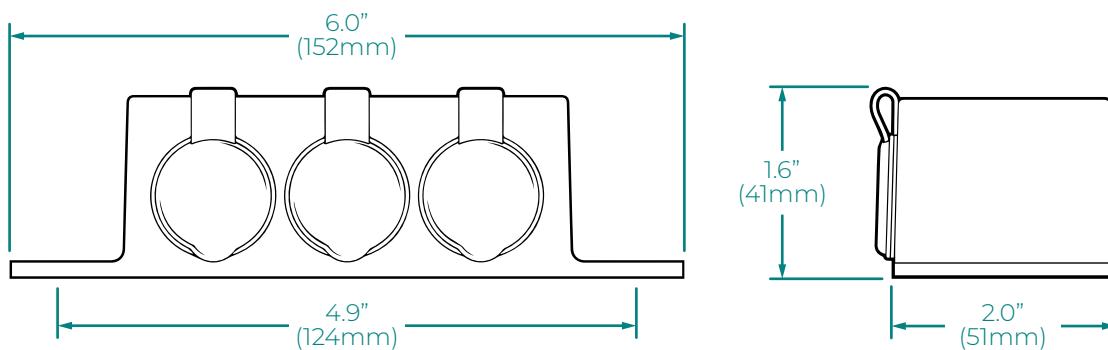


- Expands the number of power ports on your vehicle, allowing more equipment to be powered off its port adapters
- Hardwire installation - 36" wire leads with 15A in-line fuse
- Mounting accessories included - 2 screw mount
- Individual socket dust caps

Specifications

Operating Voltage:	12Vdc
Connection:	36" Wire Leads
Fuse:	15A In-Line Replaceable
Mounting Hardware:	2 Screws (included)

Part #	Description
98229	12V Triple Multisocket Permanent Mount





Magnetic Inspection Light

6 LED

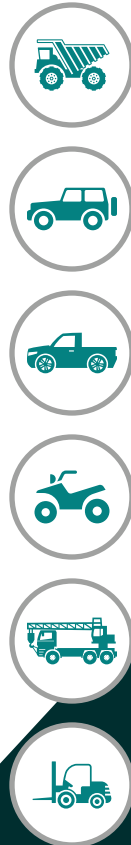
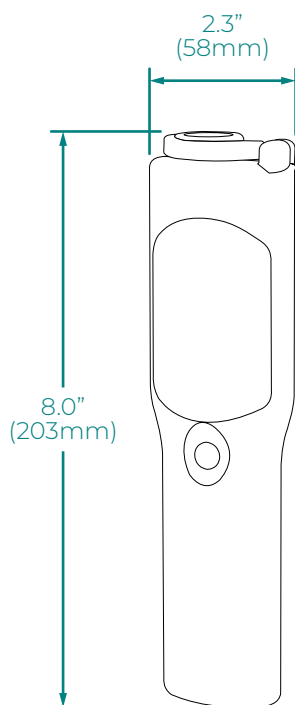


Features



- Cordless and rechargeable
- Integrated hanging hook & magnetic clip
- Wide angle beam pattern work light & flashlight functions
- High / low settings
- Includes 110Vac charger & 12Vdc car charger

Part #	Description
81307	LED Magnetic Inspection Light



VEHICLE ACCESSORIES | FLASHLIGHTS



Do Not Overcharge

This product should not be modified. Any modification will invalidate the warranty and render the product unsafe for use

Index

Part Number	Page	Part Number	Page
30000	85	52052	63
30001	85		
30002	85	71051	51
30003	85	71057	51
30004	85	71074	50
30005	85	71075	48
30006	85	71076/1	49
30007	85	71078/1	49
30008	85	71079	48
30009	85		
		71082	50
41020	92	71083	50
41025	92		
41030	92	76866	47
41050	93	76868	47
41065	92		
41080	93	80110/3	83
41094	94	80115	83
41105	94	80155	80
41201	93	80160	79
42005	93	80161	79
42050	93		
		80162	74
51006	66	80163	74
51008	64	80164	74
51010	66	80165	74
51011	66		
51012	66	81091/2	53
51015	67	81092	52
51020	65		
51030	64	81103	81
51045	65	81109	82
51050	67	81114	82
52050	63	81117	80
52051	63	81117/HO	80

Index

Part Number	Page	Part Number	Page
81145	81	81275/S	31
81196	81	81276/S	31
81214	78	81277/S	31
81216	78	81278/S	31
81221	78	81281/HO	21
81226	76	81281/HO/S	25
81227	76	81282/B	33
81228	76	81282/C	33
81229	76	81283/B	33
81256/1	42	81283/C	33
81256/2	42	81284/B	33
81257	43	81284/C	33
81258	43	81285	27
81261/HO	21	81286	27
81261/HO/S	25	81287	27
81262/HO	21	81288	27
81262/HO/S	25	81291HW	45
81263/HO	21	81295/B	39
81263/HO/S	25	81295/C	39
81264/HO	21	81307	101
81264/HO/S	25	81444	41
81265/HO	21	81445	41
81265/HO/S	25	81446	41
81266/HO	21	81447	41
81266/HO/S	25	81448	41
81267/HO	21	81449	41
81267/HO/S	25	81450	19
81271/S	31		
81272/S	31		
81273/S	31		
81274/S	31		

Index

Part Number	Page	Part Number	Page
81451	19	81802	29
81452	19	81803	29
81542	56	81804	29
81544	57	81805	27
81550	58	81806	27
81551	58	81807	27
81552	58	81808	27
81553	58	81811	29
81554	58	81812	29
81561	62	81813	29
81562	62	81814	29
81563	62	81901	23
81564	62	81902	23
81565	59	81903	23
81566	59	81904	23
81567	59	81911	23
81568	59	81912	23
81569	59	81913	23
81641/B	35	81914	23
81641/C	35	81-W540	52
81642/B	35	82132	70
81642/C	35	82291/B	37
81643/B	35	82291/C	37
81643/C	35	82293/B	37
81724	44	82293/C	37
81725	44	82294/B	37
81726	44	82294/C	37
81801	29	82295/B	60

Index

Part Number	Page	Part Number	Page
82295/C	60	84185R	88
82296/B	61	85045	89
82296/C	61	85065	89
<hr/>			
83059	54	85066	89
83059J	54	85067	89
<hr/>			
83235	54	85068	89
<hr/>			
84005-1	72	85069	89
<hr/>			
84045	69	85070	89
84046	69	85071	89
84049	70	85085	89
<hr/>			
84175	87	85086	89
84175R	87	85089	89
84176	87	85090	89
84176A	87	85091	89
84176R	87	85094	89
84177	87	85095	89
84177A	87	85100	89
84178	87	85101	89
84180	88	85115	90
84180A	88	85116	90
84180R	88	85120	90
84181	88	85128	90
84181A	88	<hr/>	
84182	88	98135	48
84183	88	98142	47
84184	87	98143	50
84184A	87	98189	45
84184R	87	98195	45
84185	88	98197	45
84185A	88	<hr/>	
		98224	96
		98225	96
		98226	96
		98228	97
		98229	100

Index

Part Number	Page
98231	97
98232	97
98233	98
98234	98
98235	98
98236	99
98237	99
98241	99
.....	
98302	49
.....	
99062	71
99062-0	71
99063	71
99063-0	71
.....	
10-1157NA	52
.....	
HW02A	45
.....	
W81092	52



Hamsar®

A Methode Electronics Company



Limited One (1) Year Warranty

Hamsar products have been manufactured under the highest standards of quality and workmanship. The following warranty is exclusive and in lieu of all other warranties, whether expressed, implied or statutory with respect to or relating to any product shipped hereunder (the "Product"). Hamsar warrants that the Product is, at the time of shipment to the Purchaser, free of material and workmanship defects provided that there shall be no warranty with respect to any Product which has been repaired or altered in any way, which has been subject to negligence, accident, improper storage or damaged in shipment without the fault of Hamsar or has not been installed, used or maintained in accordance with normal practice and in conformity with the recommendations or the published specifications of Hamsar.

Hamsar shall, at its option, repair or replace any defective Product or refund the purchase price of a Product provided a warranty claim is made within one (1) year of the date of shipment of the Product and this shall be the full extent of Hamsar's liability for breach of warranty. Exclusions to this Policy are all bulbs fitted with all lamps and all replacement bulbs, which are not covered under this policy.

NON-DEFECTIVE PRODUCT RETURNS

Product returns (non-defective) must have been purchased in the current year from the current product catalogue and non-custom product. They must be in saleable condition (unopened cases). Returns are subject to a minimum restocking fee of 20%. More details are available on our current price list. Please contact hamsar.sales@grakon.com for further details.

Exclusions to this policy include the following:



Limited Five (5) Year Warranty

XWL-816, XWL-800, XWL-810, XWL-812, XWL-Par 36 series of products



Limited Three (3) Year Warranty

LED headlights

All bulbs - limited Ninety (90) day warranty after shipment date

Proof of purchase (original sales receipt) must accompany all warranty claims. If you have any questions regarding technical support, installation or concerns regarding our warranty policy, please contact our customer service team at 1.800.567.5483 or e-mail us at hamsar.sales@grakon.com.



Fusing Statement

Hamsar lighting and electronic products must be fused appropriately in all instances. If you are in doubt, consult with a Hamsar service representative at 1.800.567.5483 or email hamsar.sales@grakon.com.

NOTE: Improperly fused / installed product will invalidate the warranty.



Call your local distributor
for more information.

For a distributor near you,
visit www.hamsar.com.



Hamsar[®]

A Methode Electronics Company

5320 Downey Street
Burlington, Ontario
Canada L7L 6M2
T 905.332.4094
www.hamsar.com