

5000
LUMENS

XWL-816 Series WORK LIGHT | 9 LED



Versatile, heavy duty work light delivers 5000 lumens of illumination.



Features

- Die cast aluminum housing and polycarbonate lens
- IP68 & IP69K - will withstand dust, dirt, salt spray, and is resistant to water submersion for up to 30 minutes
- Low noise constant current design - for EMI sensitive applications
- Improved thermal performance - uses A380 grade aluminum
- 3 beam patterns - get light where it's needed most
- 50,000+ hours LED service life and 5 year warranty



www.hamsar.com



Specifications

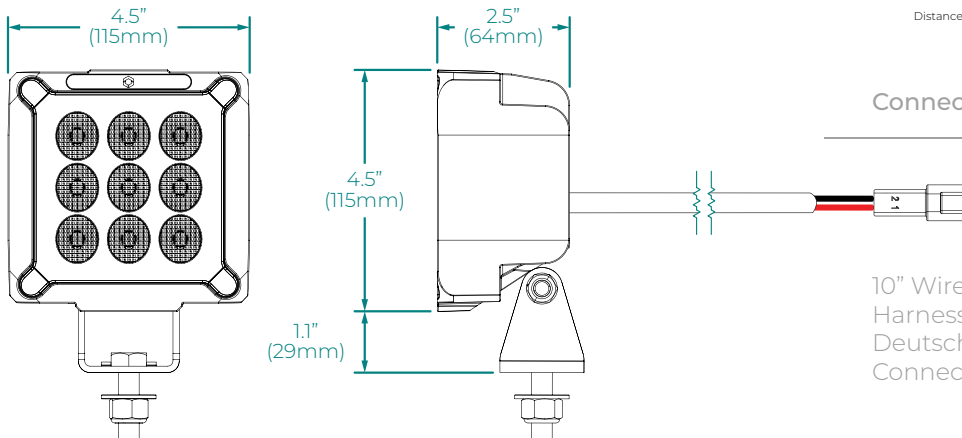
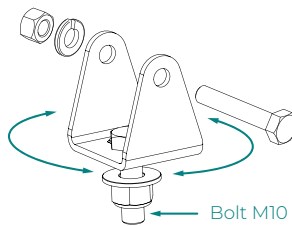
Raw Lumens:	5900
Effective Lumens:	5000
Colour Temperature:	6500K
Operating Voltage:	12 - 24Vdc
Operating Current:	3.0A @ 12Vdc 1.5A @ 24Vdc
Power Consumption:	36W
Temperature Range:	-40°C to +50°C
Ingress Protection:	IP68 & IP69K
Weight:	2.9lbs (1.3kg)
Housing:	Die Cast Aluminum Alloy A380 Black E-Coat
Lens:	Automotive Optical Grade Hard-Coated Polycarbonate
Connection:	10" Wire Harness w/ Deutsch Connector
Polarity:	Reverse Voltage Protected
Vibration Resistance:	10-500Hz @ 5Grms
Mounting:	U-Bracket (Powder Coated Steel)
EMC Rated:	EN ISO 13766-1:2018

Part #	Beam Pattern	Lumens	Operating Voltage
--------	--------------	--------	-------------------

81450	Spot	5000	12 - 24Vdc
81451	Wide Flood	5000	12 - 24Vdc
81452	Hybrid	5000	12 - 24Vdc

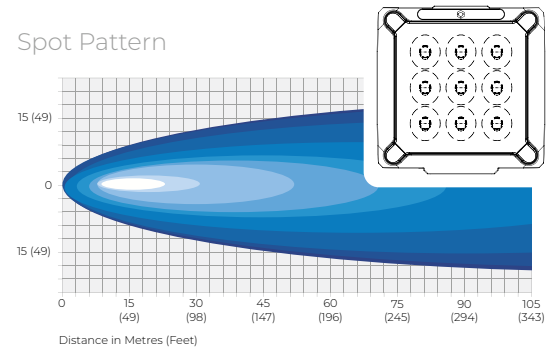
Accessories

98197	Hardware Kit U-Bracket
98195	Easy Grip Handle Black

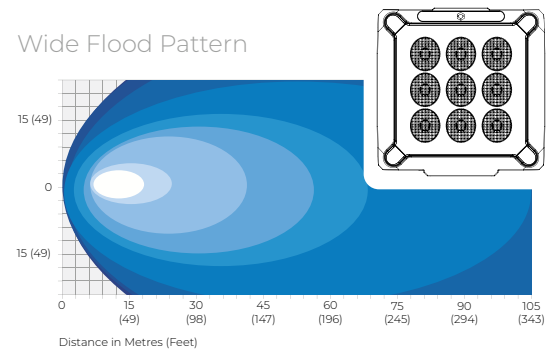


Beam Patterns

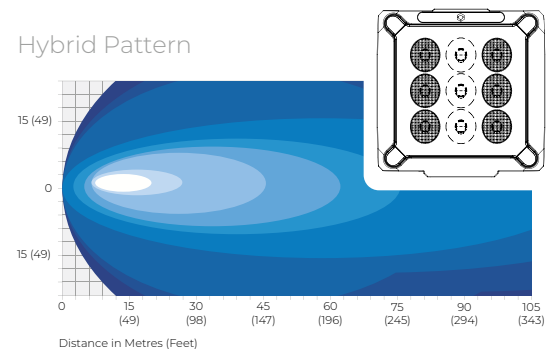
Spot Pattern



Wide Flood Pattern



Hybrid Pattern



Connection

10" Wire
Harness w/
Deutsch
Connector

