

# XWL-PAR 36 Series LED WORK LIGHT MODULE | 1400 LUMENS



## Direct replacement PAR 36 work light module.

Fits into existing PAR 36 housing.



### Feature

- Direct replacement LED module
- 1400 lumens
- 5700K cool white light
- Die cast aluminum housing, polycarbonate lens
- Fully sealed light
- IP67
- Constant current circuit draw
- 3 beam patterns



### Benefit

- Fits into existing PAR 36 housing.
- 3 times brighter than standard halogen PAR 36.
- Close to daylight illumination, reducing eye fatigue.
- Virtually unbreakable.
- Total circuit board protection.
- Waterproof and dust protected.
- Light does not dim even if voltage fluctuates.
- Get light where it's needed most.

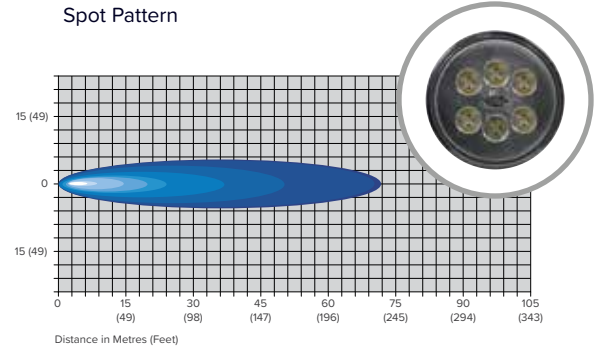


### Specifications

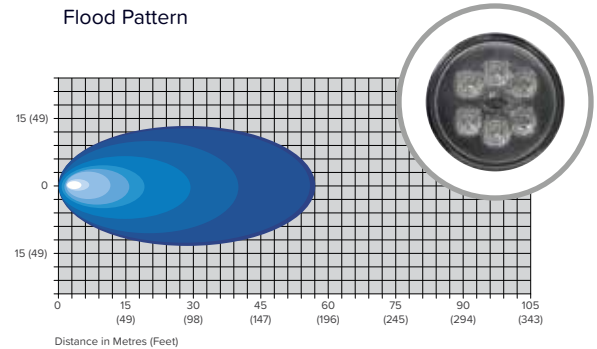
Operating Voltage:	12 - 24Vdc
Operating Current:	1.8A @ 12Vdc 0.9A @ 24Vdc
Power Consumption:	22W
Colour Temperature:	5700K
Temperature Range:	-40°C to +85°C
Ingress Protection:	IP67
Weight:	11.1oz (316g)
Housing:	Die Cast Aluminum
Housing Coating:	Black E-Coat
Lens:	Optical Grade Polycarbonate
Lens Coating:	UV Hardcoat Finish
Connection:	1/4" Male Disconnect

### Beam Patterns

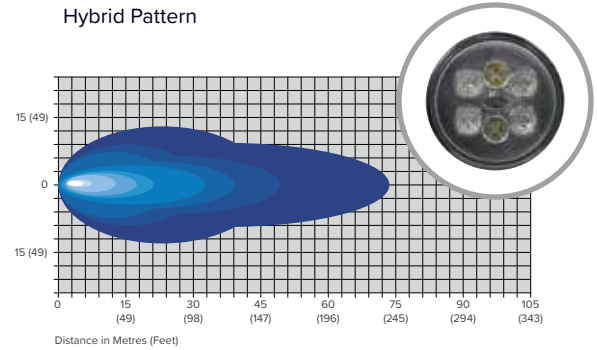
Spot Pattern



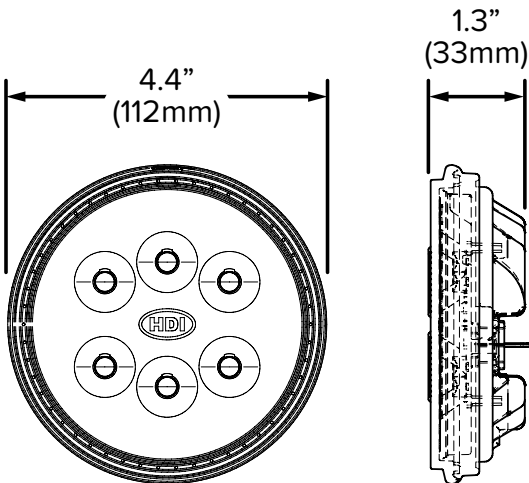
Flood Pattern



Hybrid Pattern



Part #	Beam Pattern	Lumens	Operating Voltage
81444	Spot	1400	12 - 24Vdc
81445	Flood	1400	12 - 24Vdc
81446	Hybrid	1400	12 - 24Vdc



For more lighting and electronic solutions, please check out our catalogue.