

# Grakon OEM Commercial Vehicle BACK OF CAB LIGHT



## OEM quality back of cab light.

Used throughout North America on commercial vehicles.



### Feature

- Long life
- Meets SAE back up requirements as a single light
- Power 6W (12Vdc)



### Benefit

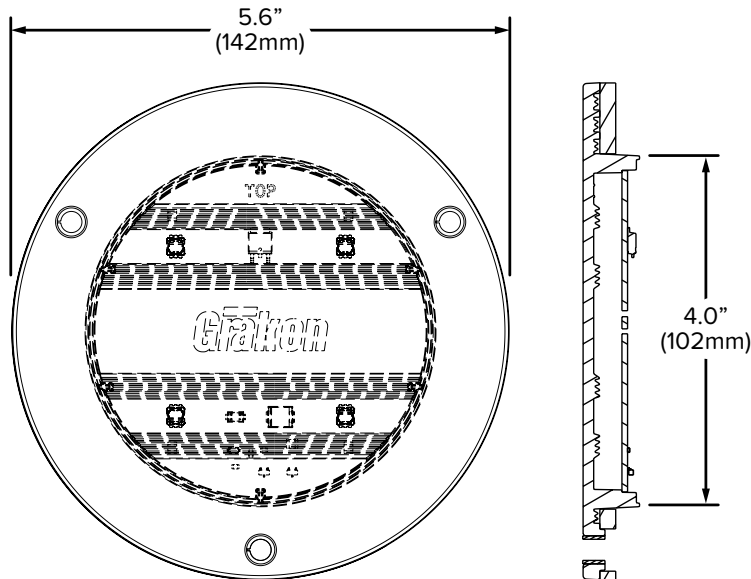
- 60,000 hours of continuous operation.
- System cost savings.
- 80% improvement over incandescent equivalent light.



**Specifications**

Operating Voltage:	12Vdc
Operating Current:	0.5A @ 12Vdc
Power Consumption:	6W
Light Source:	Long Lifespan Cool White LED   4 LED
Mounting:	Flush Mount Version: Direct Replacement to Incandescent BoC Lights Surface Mount Version: Minimize Required Cutout for Light Installation
Over Voltage:	Regulated Output to 16Vdc Protection to SAE J1455
Connection:	Integral Sealed Connector or OEM Specific Pigtail with Connector
Wire Harness:	6.5" (165mm)
Mating Connector:	Delphi #120662214

Part #	Beam Pattern	Lumens	Operating Voltage
81082	Flood	400	12Vdc



For more lighting and electronic solutions, please check out our catalogue.