

XWL-800 Series LED FLASHING AMBER WARNING LIGHT



"4 Lives in 1" Mount System

If one attachment point fails due to a collision, rotate to the next channel point and re-mount the light.

Dual function light. Work light and flashing amber functions:

- 1) Wired to two switches
- 2) One switch controls the steady white work light
- 3) One switch controls the flashing amber function (the amber light does not function at steady, only flashing)
- 4) They can operate separately or together



Feature

- Die cast aluminum housing, polycarbonate lens and high impact bezel
- IP68 & IP69K
- Low current draw
- Constant current circuit draw
- 4 work light beam patterns
- 50,000+ hours LED service life



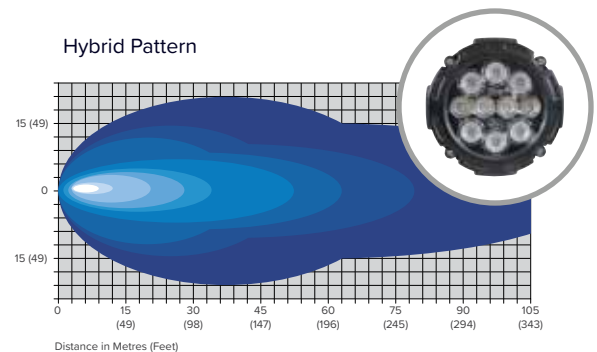
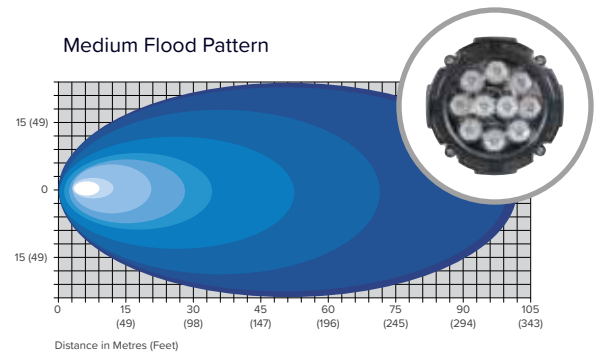
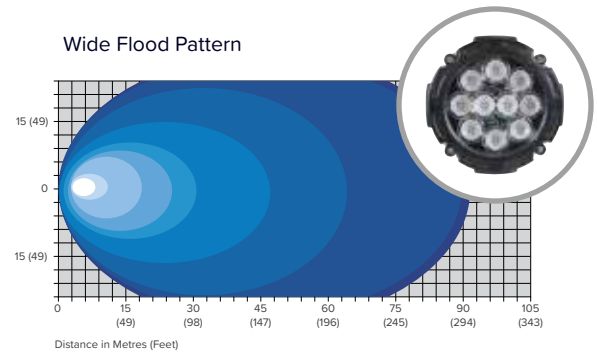
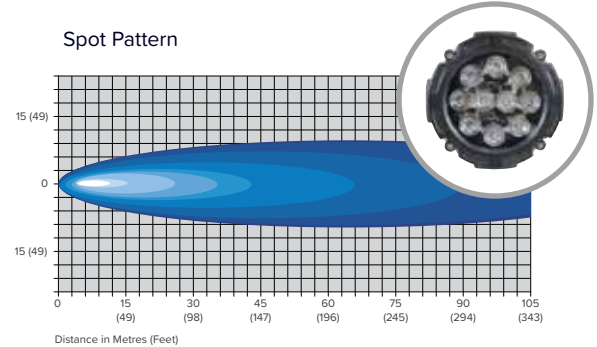
Benefit

- Virtually unbreakable.
- Will withstand dust, dirt, sand, and water submersion.
- Energy efficient, save on fuel costs.
- Light does not dim even if voltage fluctuates.
- Get light where it's needed most.
- Long lasting investment, quality product.

Specifications

Operating Voltage:	12 - 24Vdc
Operating Current:	Work: 1.8A @ 12Vdc 0.9A @ 24Vdc Amber: 0.8A @ 12Vdc 0.4A @ 24Vdc Both: 2.6A @ 12Vdc 1.3A @ 24Vdc
Power Consumption:	Work: 22W Amber: 10W Both: 32W
Temperature Range:	-40°C to +80°C
Ingress Protection:	IP68 & IP69K
Weight:	2.2lbs (1.0kg)
Housing:	Die Cast Aluminum Black E-Coat
Lens:	Automotive Optical Grade Hard-Coated Polycarbonate
Connection:	6" Wire
Polarity:	Reverse Voltage Protected
Vibration Resistance:	10-500Hz @ 5Grms
Mounting:	C-Bracket
EMC Rated:	EMC EN 13309: 2010

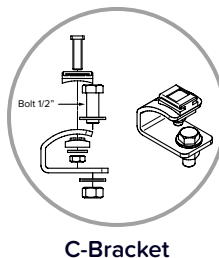
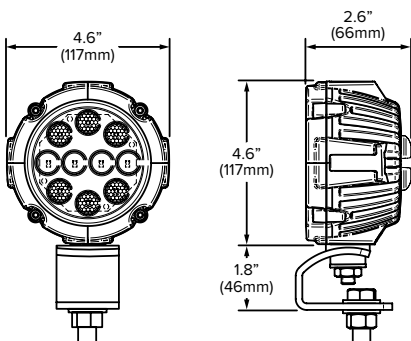
Work Light Beam Patterns



Part #	Beam Pattern	Lumens	Operating Voltage
81561	Spot	2500	12 - 24Vdc
81562	Wide Flood	2500	12 - 24Vdc
81563	Medium Flood	2500	12 - 24Vdc
81564	Hybrid	2500	12 - 24Vdc

Accessories

HW02A	Hardware Kit C-Bracket
98195	Easy Grip Handle - Black Blue Orange



For more lighting and electronic solutions, please check out our catalogue.