

4" x 6" LED Low and High Beam HEADLIGHT MODULES



Feature

- Bright, white light
- Total internal reflector
- IP68 & IP69K
- Low current draw
- Constant current circuit draw
- Hassle-free installation

- SAE / DOT compliant
- 50,000+ hours LED service life



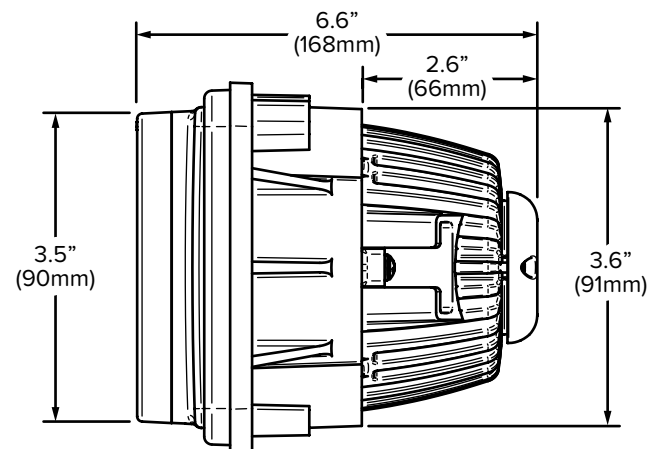
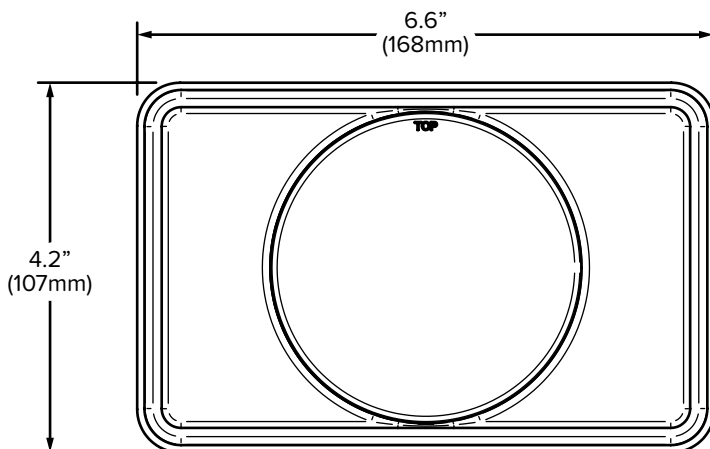
Benefit

Enhances illumination and reduces driver fatigue.
Improves driver's visibility, enhancing safety.
Will withstand dust, dirt, sand, and water submersion.
Energy efficient, save on fuel costs.
Light does not dim even if voltage fluctuates.
"Drop-in" design easily replaces standard 4" x 6"
headlight systems without any need for retooling.
Compliant to US / CDN federal regulations.
Long lasting investment, quality product.

Specifications

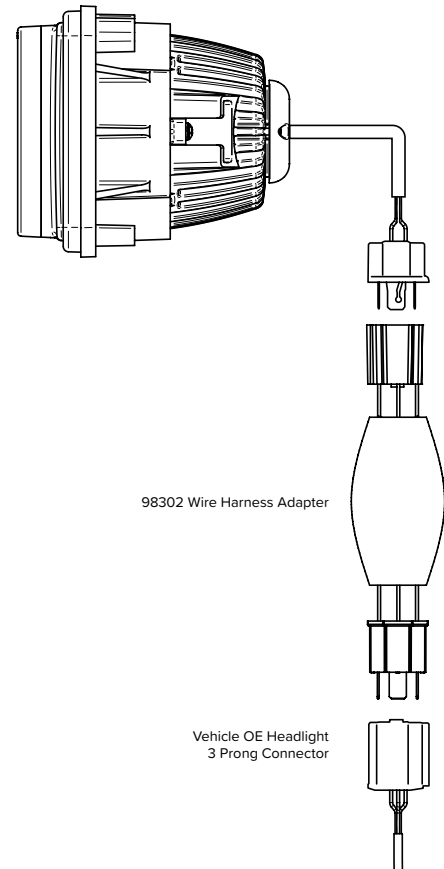
Operating Voltage:	12 - 24Vdc
Operating Current:	Low Beam: 1.1A @ 12Vdc 0.5A @ 24Vdc High Beam: 1.2A @ 12Vdc 0.6A @ 24Vdc
Power Consumption:	Low Beam: 13W High Beam: 14W
Temperature Range:	-40°C to +65°C
Ingress Protection:	IP68 & IP69K
Weight:	2.0lbs (0.9kg)
Housing:	Die Cast Aluminum - Black E-Coat Black Polycarbonate
Lens:	Automotive Optical Grade Hard-Coated Polycarbonate
Connection:	Low Beam: 3 Position Connector High Beam: 2 Position Connector
Polarity:	Reverse Voltage Protected
Vibration Resistance:	10-500Hz @ 5Grms
Compliance:	FMVSS108 and CMVSS108
EMC Rated:	EMC EN 13309: 2010

Part #	Description	Operating Voltage
71076/1	LED Low Beam 4" x 6"	12 - 24Vdc
71078/1	LED High Beam 4" x 6"	12 - 24Vdc



Wire Harness Adapter

Each 4" x 6" low beam and high beam headlight comes with a wire harness adapter that prevents vehicles with bulb outage warning indicators from engaging due to low current draw



For more lighting and electronic solutions, please check out our catalogue.